

June 20, 2011

To: Ampt

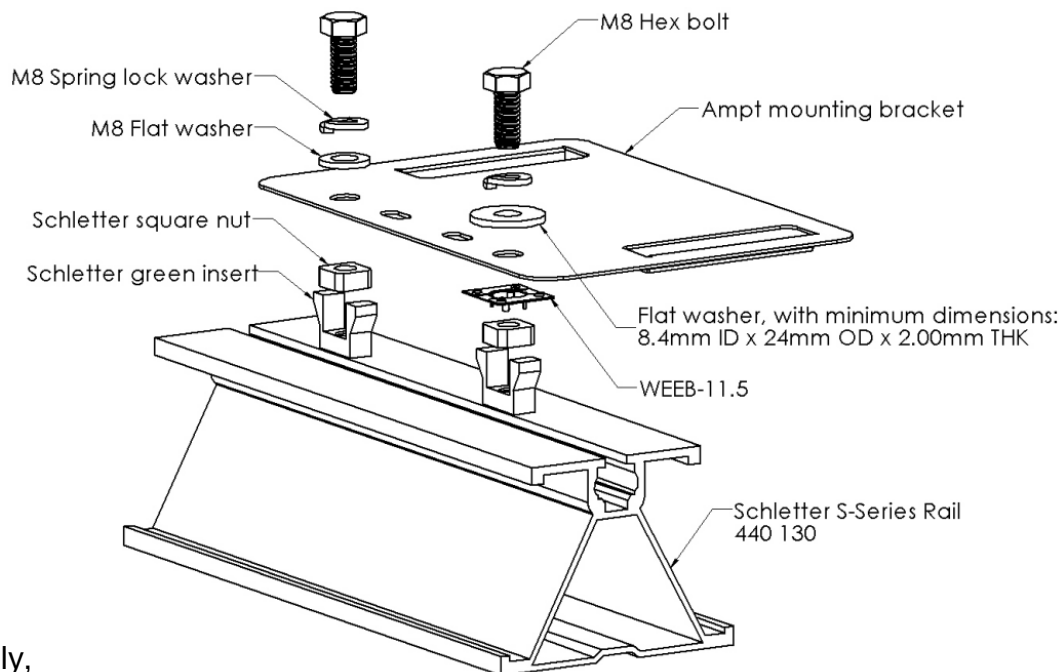
Re: Grounding recommendations for the Ampt mounting bracket part #21000000-1 and the Schletter S-Series Rail

From: BURNDY LLC

BURNDY LLC recommends the following grounding procedures for the Ampt mounting bracket and the Schletter S-Series rail.

The WEEB-11.5 must be used to bond the Ampt mounting bracket to the Schletter S-Series rail. Each bolt/nut combination that installs a WEEB-11.5 must be tightened to at least 15 ft-lbs / 20.5 N-m of torque. M8 hardware must be used along with a large flat washer and installed according to the figure pictured below.

All bolts that install any grounding or bonding hardware must have general purpose anti-seize applied to their threads prior to installation



Sincerely,

Thomas Olenick
Product Engineer, Wiley Products
BURNDY LLC
tolenick@burndy.com