



Washer, Electrical Equipment Bond

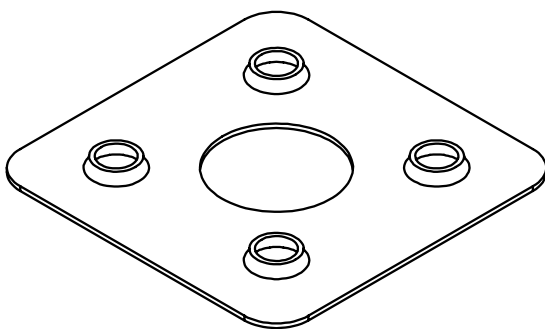
# WEEB™ WASHER

## INSTALLATION INSTRUCTIONS

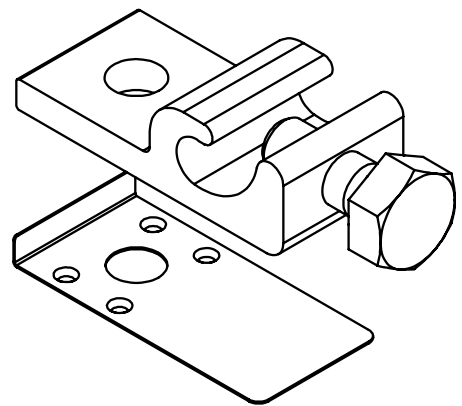
*For ISYS Roof Mount (IRM),  
Ground Mount Steel (GMS), and  
Ground Mount Tracker (GMT) Systems Only*

Burndy LLC recommends that the sufficient details of the installation be submitted to the AHJ for approval before any work is started.

<b>NOTICE</b>	
	<p>PLEASE READ CAREFULLY BEFORE INSTALLING</p>



**WEEB-UIR**



**WEEB-LUG-6.7**

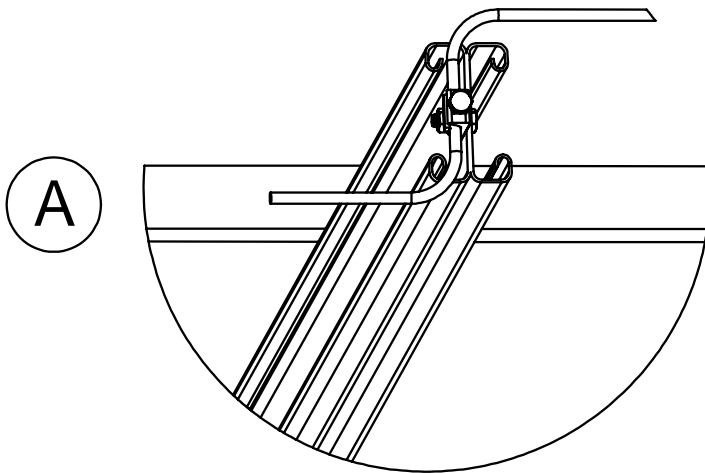


Products are tested to UL 467, CAN/CSA-C22.2 No. 41  
US/ Canadian standards for safety grounding and bonding equipment.

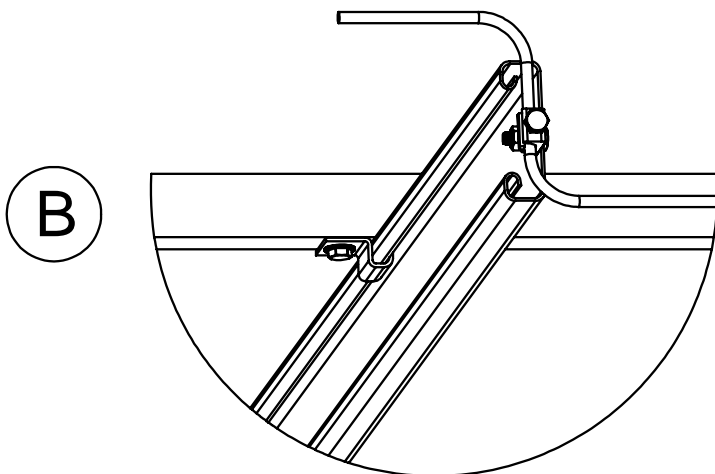


# ISYS RACKING SYSTEMS

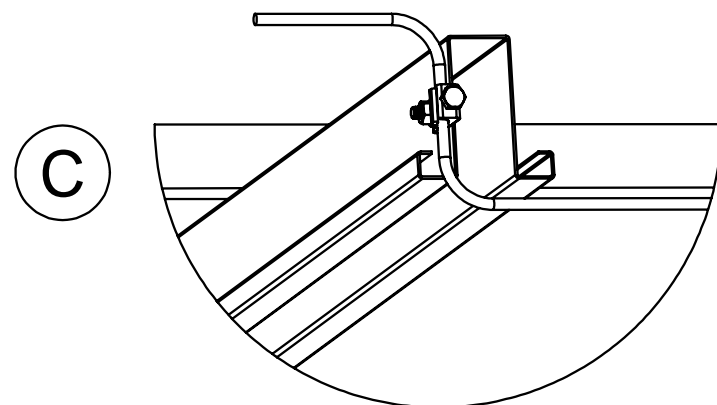
This manual covers the following ISYS Racking Systems



ISYS Roof and Ground Mount I-Beam



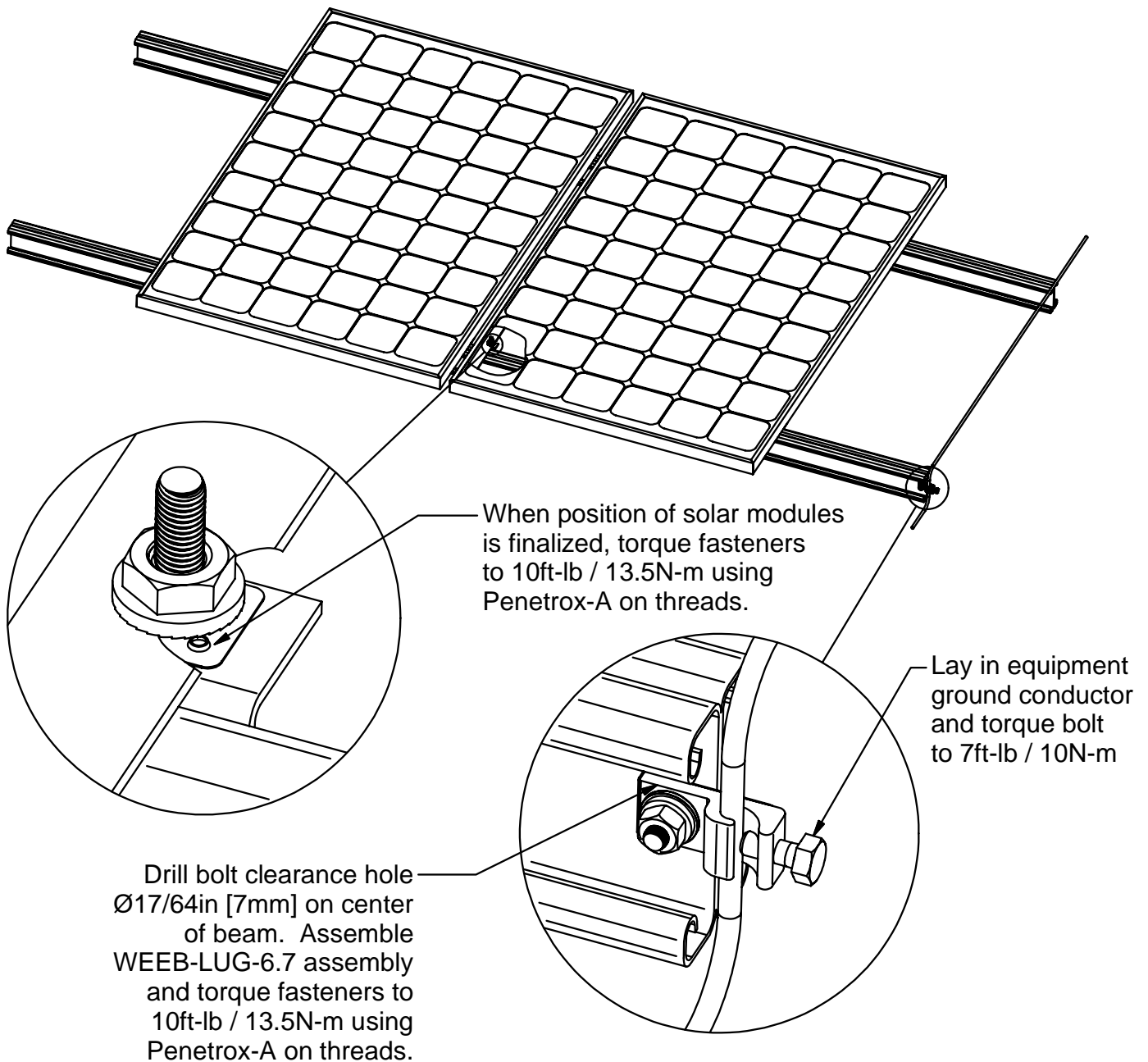
ISYS Roof and Ground Mount Channel Beam  
(same WEEB™ washer instructions as scenario A)



ISYS Utility Ground Mount Hat Channel

# SYSTEM OVERVIEW

## Unirac ISYS I-Beam and Channel Beam



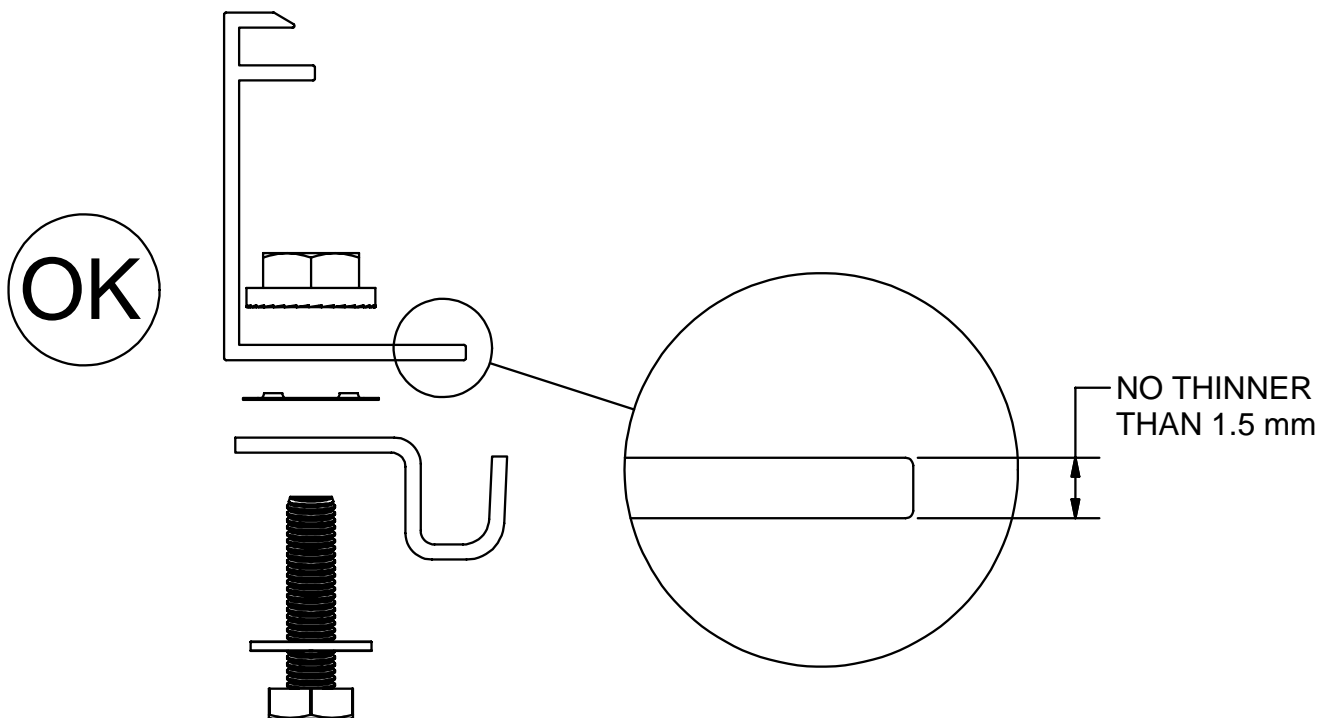
### Important notes:

1. Use general purpose anti-seize compound on fastener threads when installing WEEB™ washers.
2. The NEC section 690.43 states “Exposed non-current carrying metal parts of module frames, equipment, and conductor enclosures shall be grounded in accordance with 250.134 or 250.136(A) regardless of voltage”.
3. WEEB™ washers are intended for SINGLE USE ONLY. Functionality will not be guaranteed if reused.

# WEEB-UIR COMPATIBILITY

The WEEB™ washer family of products can be used to bond anodized aluminum, galvanized steel, steel and other electrically conductive metal structures. All installations shall be in accordance with NEC requirements in the USA and with CSA C22.1 in Canada. The WEEB™ washers are for use with modules that have a maximum fuse rating of less than 25A.

Certain module frames do not have enough structural strength to withstand the force required to embed a WEEB™ washer. These frames will deform and therefore not allow sufficient penetration of the WEEB™ washer teeth. The general requirements for minimum module frame thickness is illustrated below. For more information regarding module compatibility, please see the technical documents section of our website.



## Note:

Inspect each module frame used with a WEEB™ device to ensure that the bottom mounting face of the frame is flat, and that there are no hindrances to embedding WEEB™ washer teeth. Do not use a module with a frame that prevents the WEEB™ washer teeth from embedding fully.

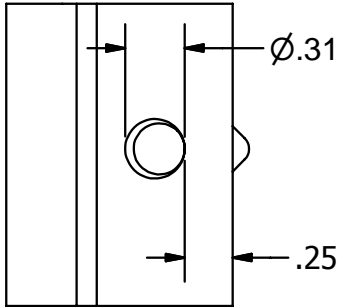
# WEEB-UIR COMPATIBILITY

## WEEB-UIR BOTTOM MOUNT SCENARIOS

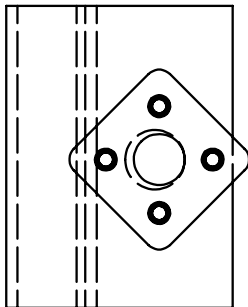
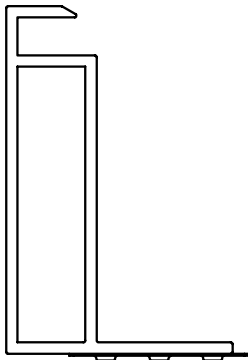
This chart is only applicable with the  
ISYS I-Beam and Channel Beam

**BOTTOM MOUNTING THE WEEB-UIR REQUIRES CERTAIN MODULE FRAME SPECIFICATIONS  
PLEASE REVIEW THE SCENARIOS BELOW TO DETERMINE  
HOW MANY WEEB-UIR'S PER MODULE ARE NECESSARY**

### Small Clearance



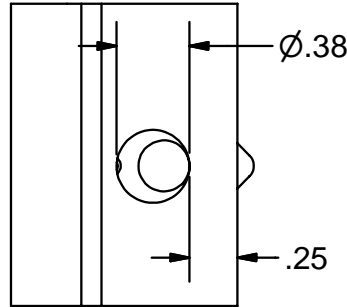
1/4" - 5/16" Module Mounting Hole at least 0.25" away from flange edge



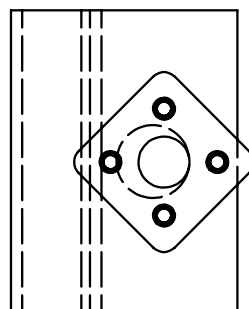
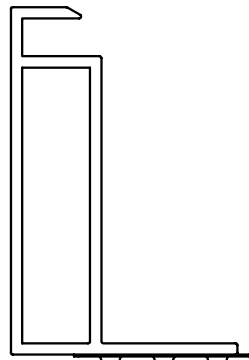
ALL WEEB™ WASHER TEETH EMBED

**ONLY (1) WEEB-UIR NEEDED PER MODULE**

### Large Clearance



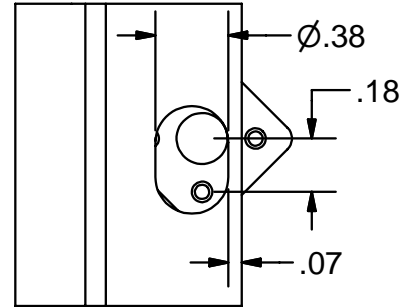
11/32" - 3/8" Module Mounting Hole or 1/4" Module Mounting Hole closer than 0.25" to the flange edge



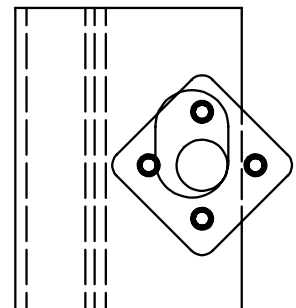
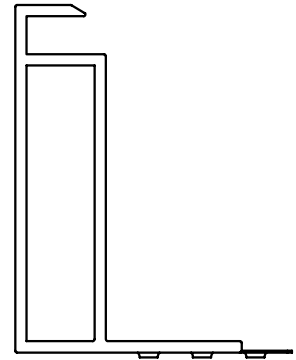
AT LEAST 2 WEEB™ WASHER TEETH EMBED

**ONLY (1) WEEB-UIR NEEDED PER MODULE**

### Slotted



Slotted Module Mounting Hole with maximum dimensions shown above



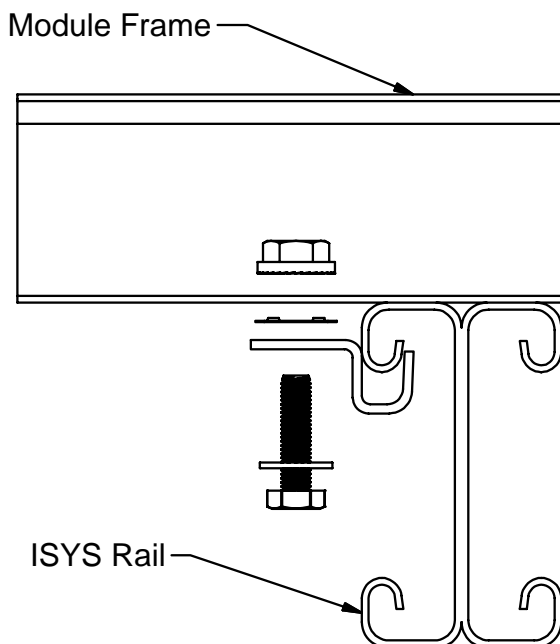
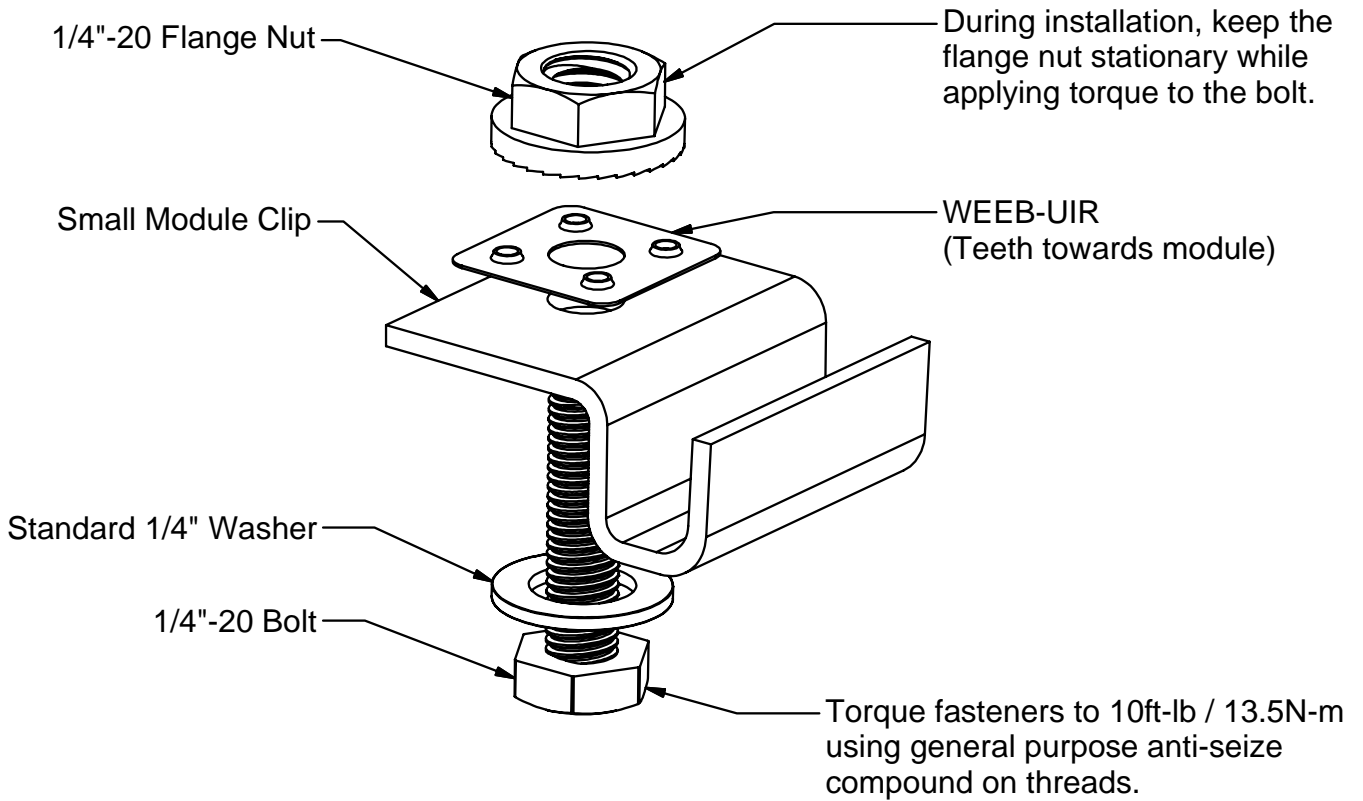
AT LEAST (1) WEEB™ WASHER TOOTH EMBEDS

**(2) WEEB-UIR NEEDED PER MODULE**

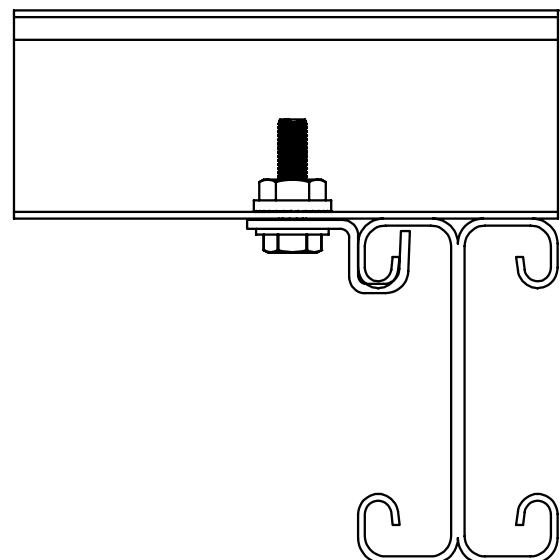
**IF YOUR MODULE FRAME DOESNT FIT ANY OF THESE SCENARIO'S  
PLEASE CONTACT BURNDY TO DETERMINE FINAL COMPATIBILITY**

# WEEB-UIR ASSEMBLY

## For ISYS I-Beam and Channel Beam



**Pre-Assembled**



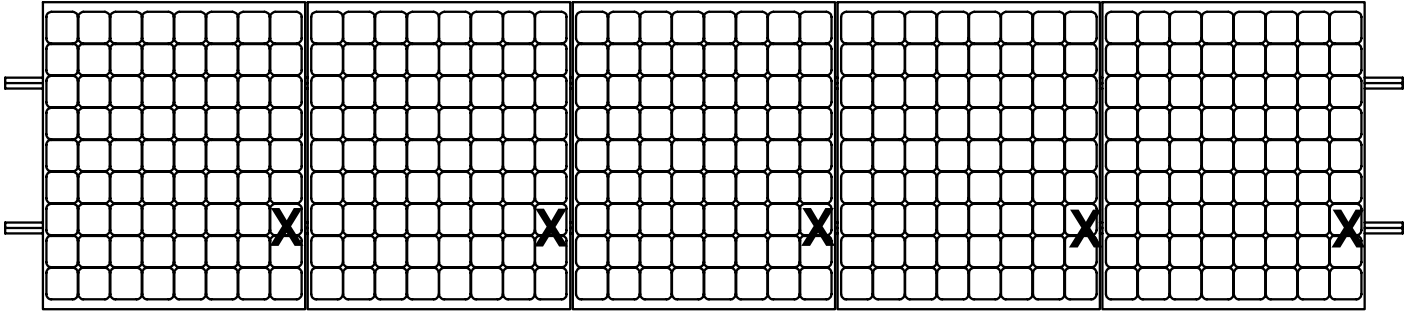
**Assembled**

# WEEB-UIR LAYOUT

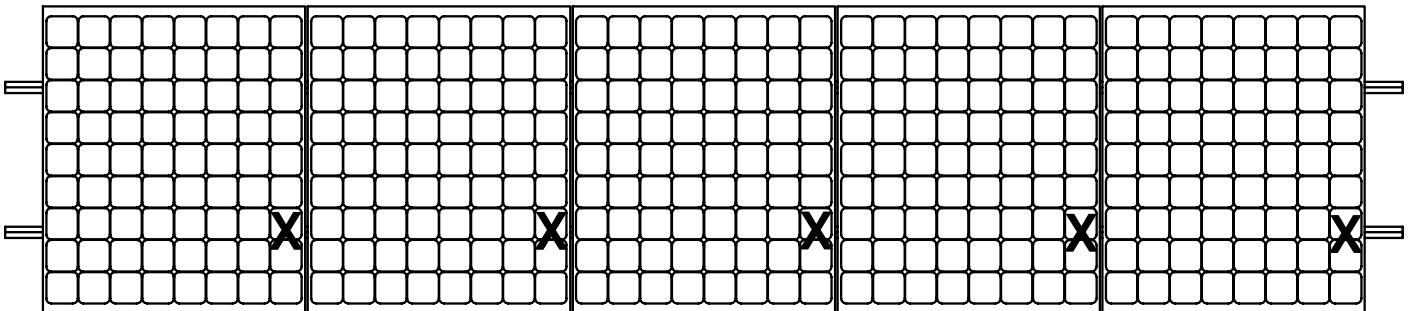
## For ISYS I-Beam and Channel Beam

Please refer back to WEEB™ washer Compatibility page to reference which mounting scenario is necessary

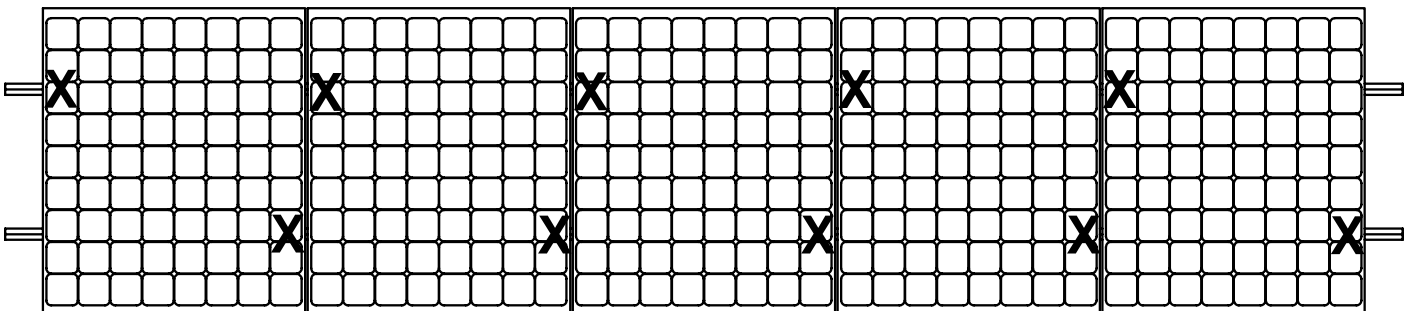
X DENOTES PLACES TO INSTALL WEEB-UIR



Small Clearance



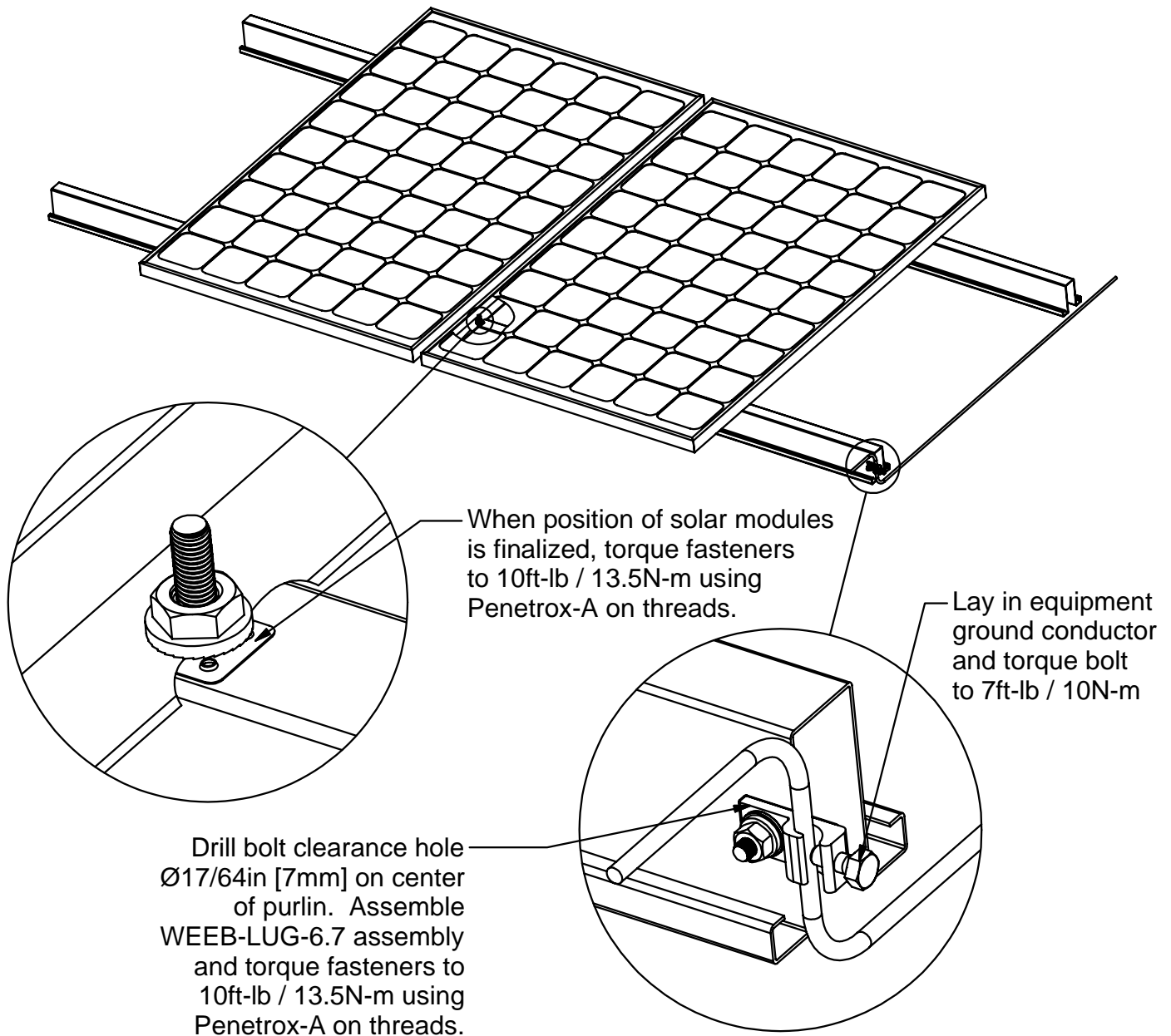
Large Clearance



Slotted

# SYSTEM OVERVIEW

## Unirac ISYS Ground Mount Steel and Ground Mount Tracker Hat Channel



### Important notes:

1. Use general purpose anti-seize compound on fastener threads when installing WEEB™ washers.
2. The NEC section 690.43 states “Exposed non-current carrying metal parts of module frames, equipment, and conductor enclosures shall be grounded in accordance with 250.134 or 250.136(A) regardless of voltage”.
3. WEEB™ washers are intended for SINGLE USE ONLY. Functionality will not be guaranteed if reused.

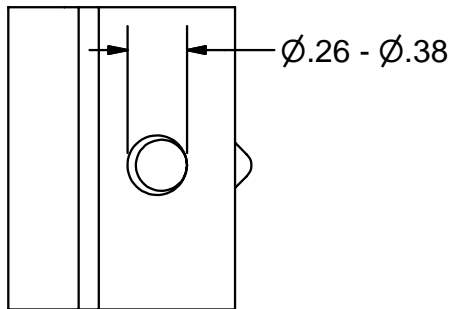


# WEEB-UIR COMPATIBILITY

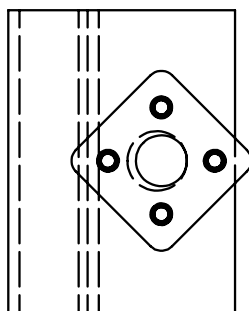
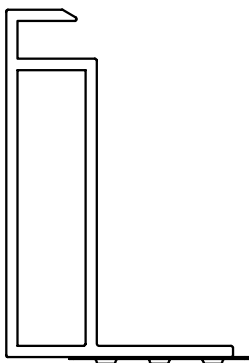
## WEEB-UIR BOTTOM MOUNT SCENARIOS This chart is only applicable with the ISYS HAT CHANNEL

BOTTOM MOUNTING THE WEEB-UIR REQUIRES CERTAIN MODULE FRAME SPECIFICATIONS  
PLEASE REVIEW THE SCENARIOS BELOW TO DETERMINE  
HOW MANY WEEB-UIR'S PER MODULE ARE NECESSARY

### Clearance Hole

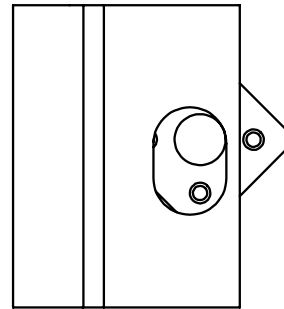


1/4" - 3/8" Module  
Mounting Hole

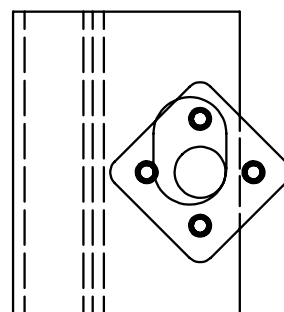
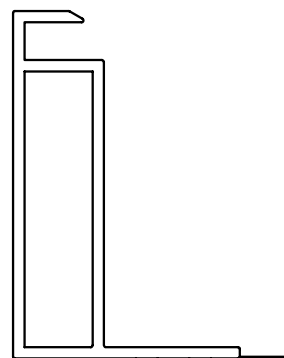


ONLY (1) WEEB-UIR  
NEEDED PER MODULE

### Slotted



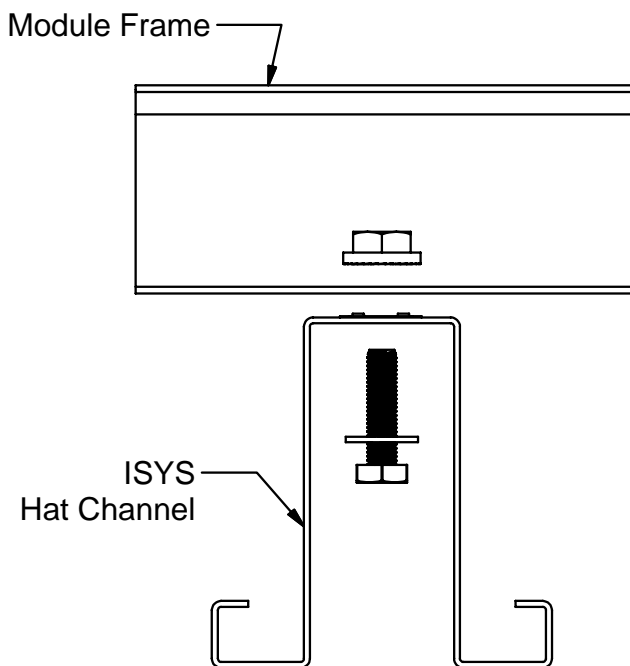
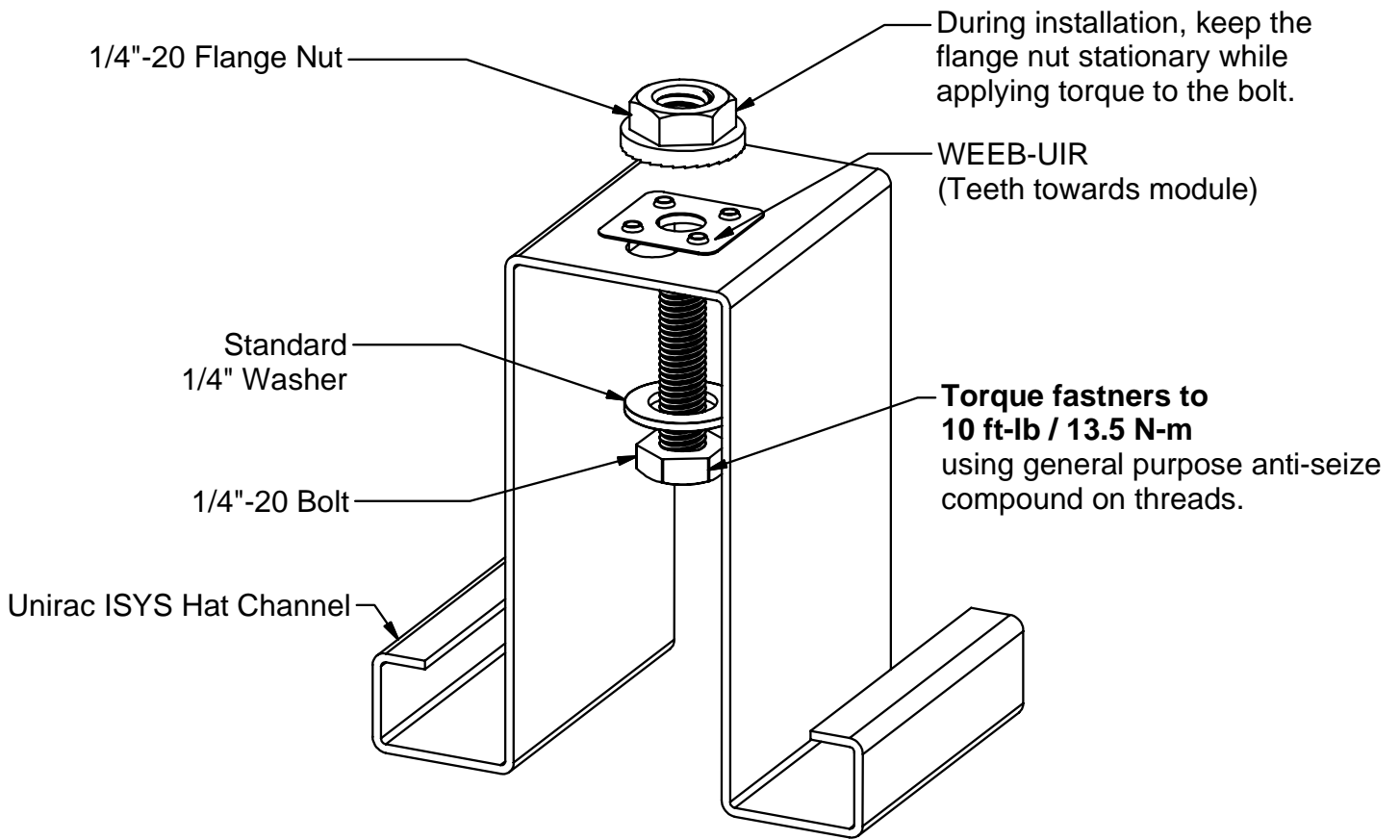
All modules that use slotted  
mounting holes will require  
two (2) WEEB-UIR's



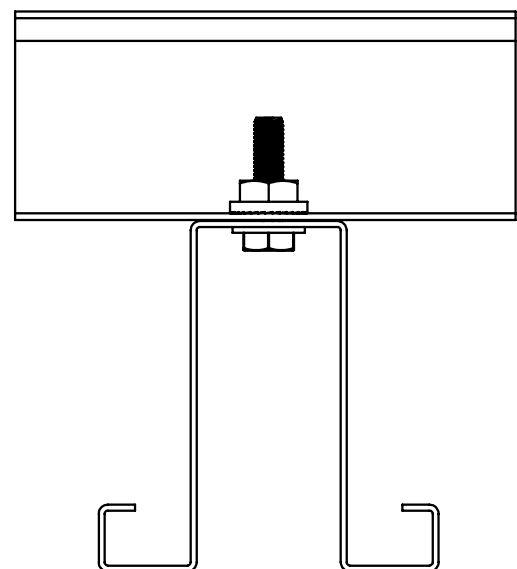
ONLY (2) WEEB-UIR  
NEEDED PER MODULE

IF YOUR MODULE FRAME DOESNT FIT ANY OF THESE SCENARIO'S  
PLEASE CONTACT BURNDY TO DETERMINE FINAL COMPATIBILITY

# WEEB-UIR ASSEMBLY For ISYS Hat Channel Only



**Pre-Assembled**

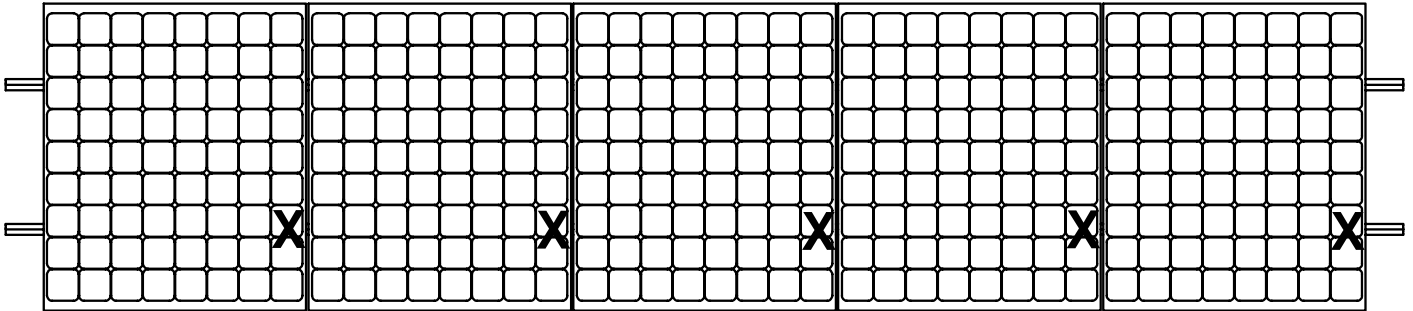


**Assembled**

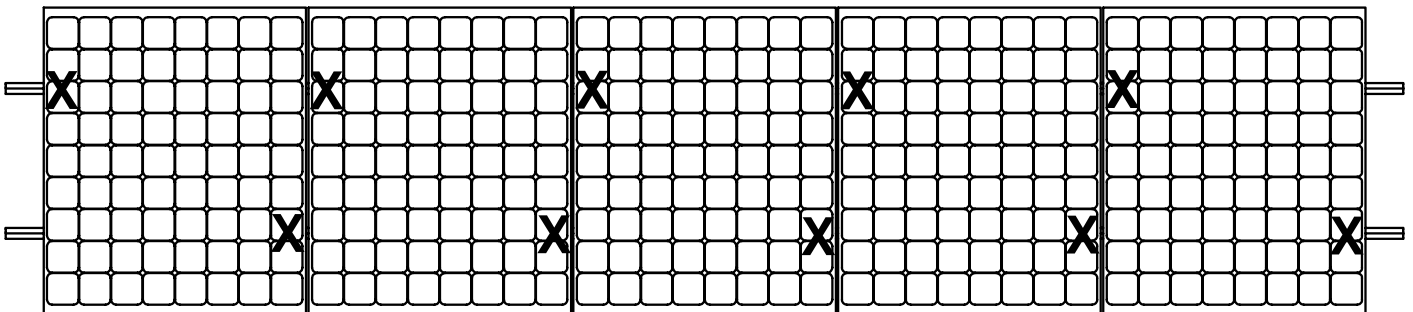
# WEEB-UIR LAYOUT For ISYS Hat Channel

Please refer back to WEEB™ washer Compatibility page to reference which mounting scenario is necessary

X DENOTES PLACES TO INSTALL WEEB-UIR



Clearance Hole



Slotted

**Customer Service Department**  
7 Aviation Park Drive  
Londonderry, NH 03053  
1-800-346-4175  
1-603-647-5299 (International)