



Washer, Electrical Equipment Bond

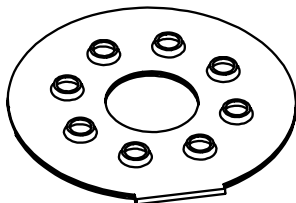
WEEB™ WASHER

INSTALLATION INSTRUCTIONS

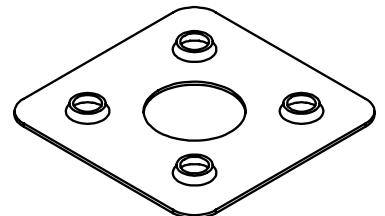
For SPG Solar SunSeeker 3.2

Single Axis Tracker Mounting System Only

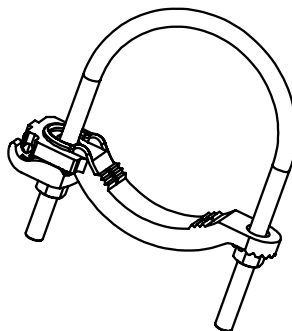
Burndy LLC recommends that the sufficient details of the installation be submitted to the AHJ for approval before any work is started.



WEEB-DSK516



WEEB-UIR



GAR3904-BUTN



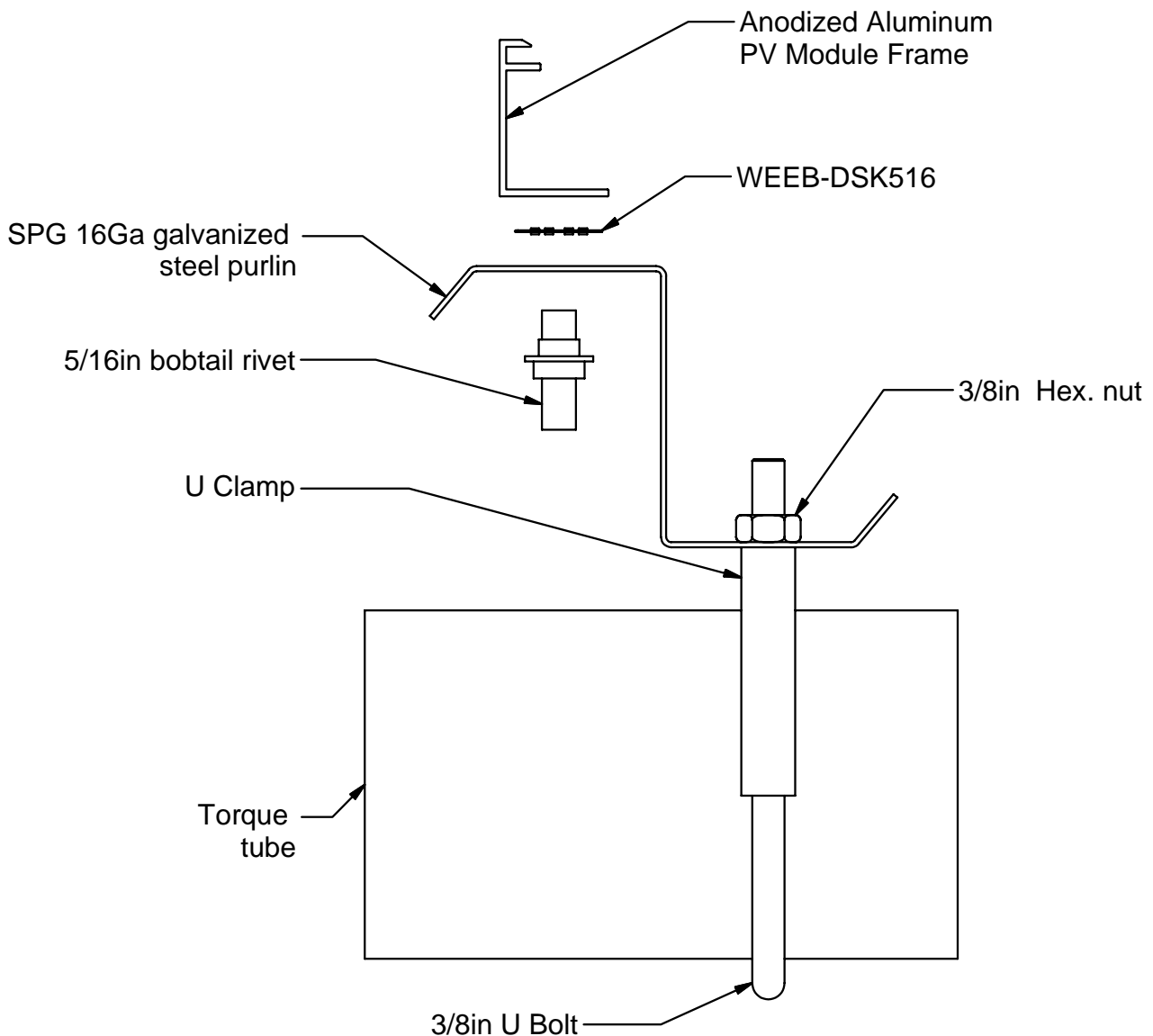
Products are tested to UL 467, CAN/CSA-C22.2 No. 41
US/ Canadian standards for safety grounding and bonding equipment.



Intertek
4004188

WEEB-DSK516 COMPATIBILITY

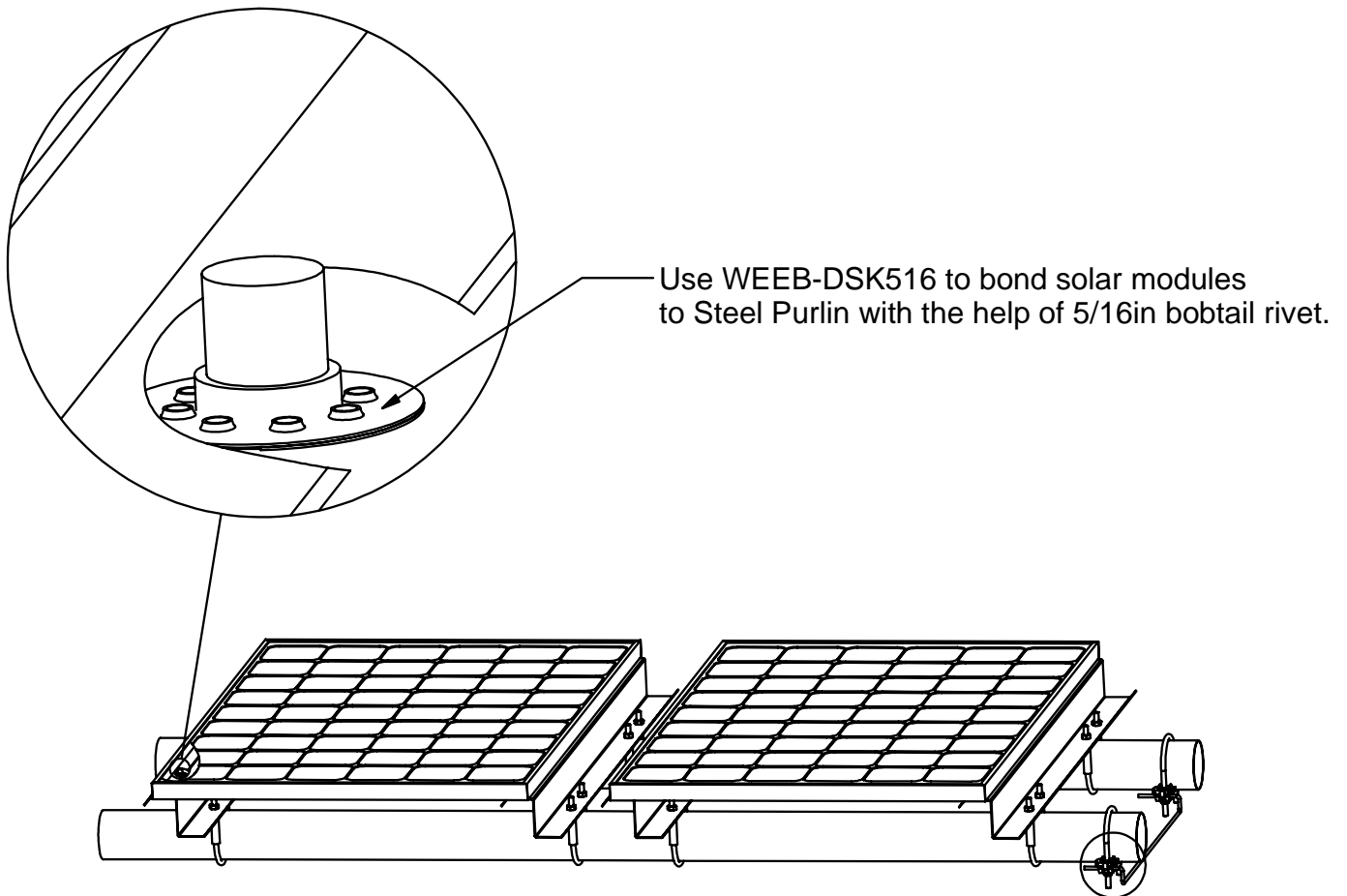
The WEEB™ washer family of products can be used to bond anodized aluminum, galvanized steel, steel and other electrically conductive metal structures. All installations shall be in accordance with NEC requirements in the USA and with CSA C22.1 in Canada. The WEEB™ washers are for use with modules that have a maximum fuse rating of less than 25A.



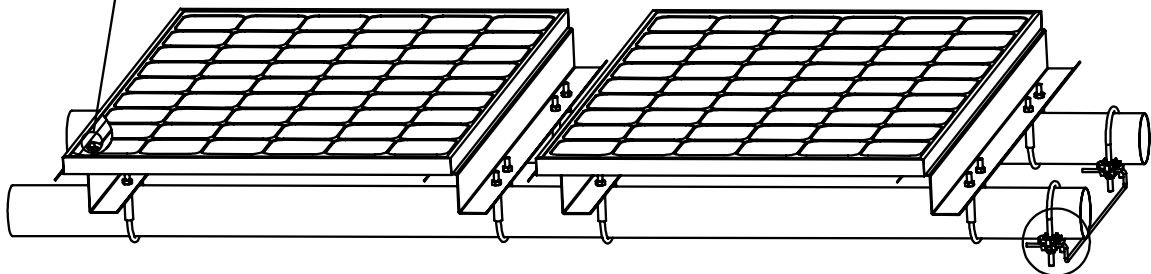
Note:

Inspect each module frame used with a WEEB™ device to ensure that the bottom mounting face of the frame is flat, and that there are no hindrances to embedding WEEB™ washer teeth. Do not use a module with a frame that prevents the WEEB™ washer teeth from embedding fully.

WEEB-DSK516 SYSTEM OVERVIEW



Use WEEB-DSK516 to bond solar modules to Steel Purlin with the help of 5/16in bobtail rivet.



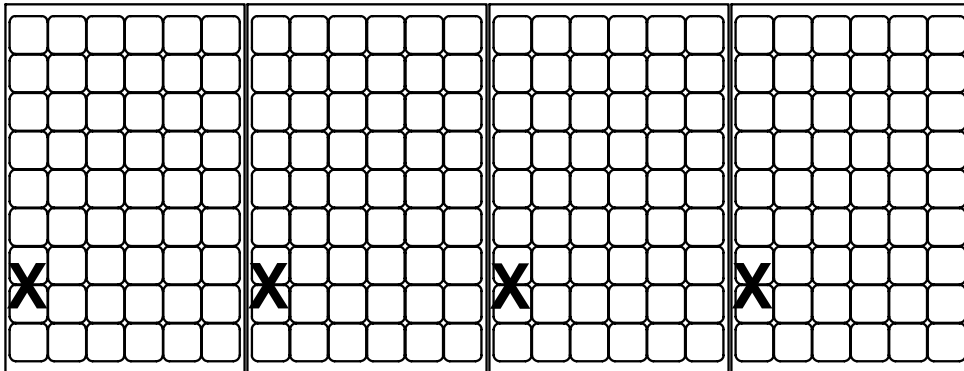
Install GAR3904-BUTN Connector on Torque tube.
Lay in equipment ground conductor
and torque nut to 7ft-lb / 10N-m.

Important notes:

1. Use general purpose anti-seize compound on fastener threads when installing WEEB™ washers.
2. The NEC section 690.43 states “Exposed non-current carrying metal parts of module frames, equipment, and conductor enclosures shall be grounded in accordance with 250.134 or 250.136(A) regardless of voltage”.
3. WEEB™ washers are intended for SINGLE USE ONLY. Functionality will not be guaranteed if reused.

WEEB-DSK516 LAYOUT

EVEN NUMBER OF MODULES IN ROW

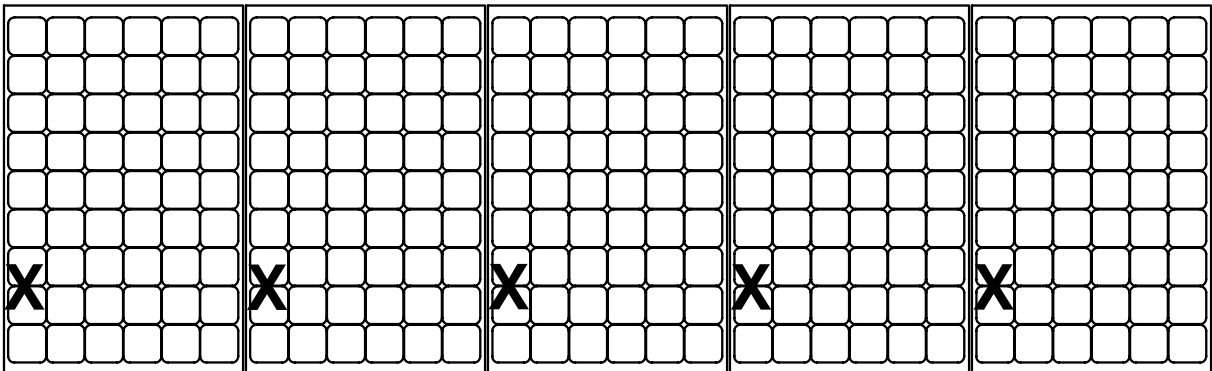


X DENOTES PLACES TO INSTALL WEEB-DSK516

$$C \times R = 4 \times 1$$

$$\text{WEEB-DSK516 NEEDED} = C \times R = 4 \times 1 = 4$$

ODD NUMBER OF MODULES IN ROW



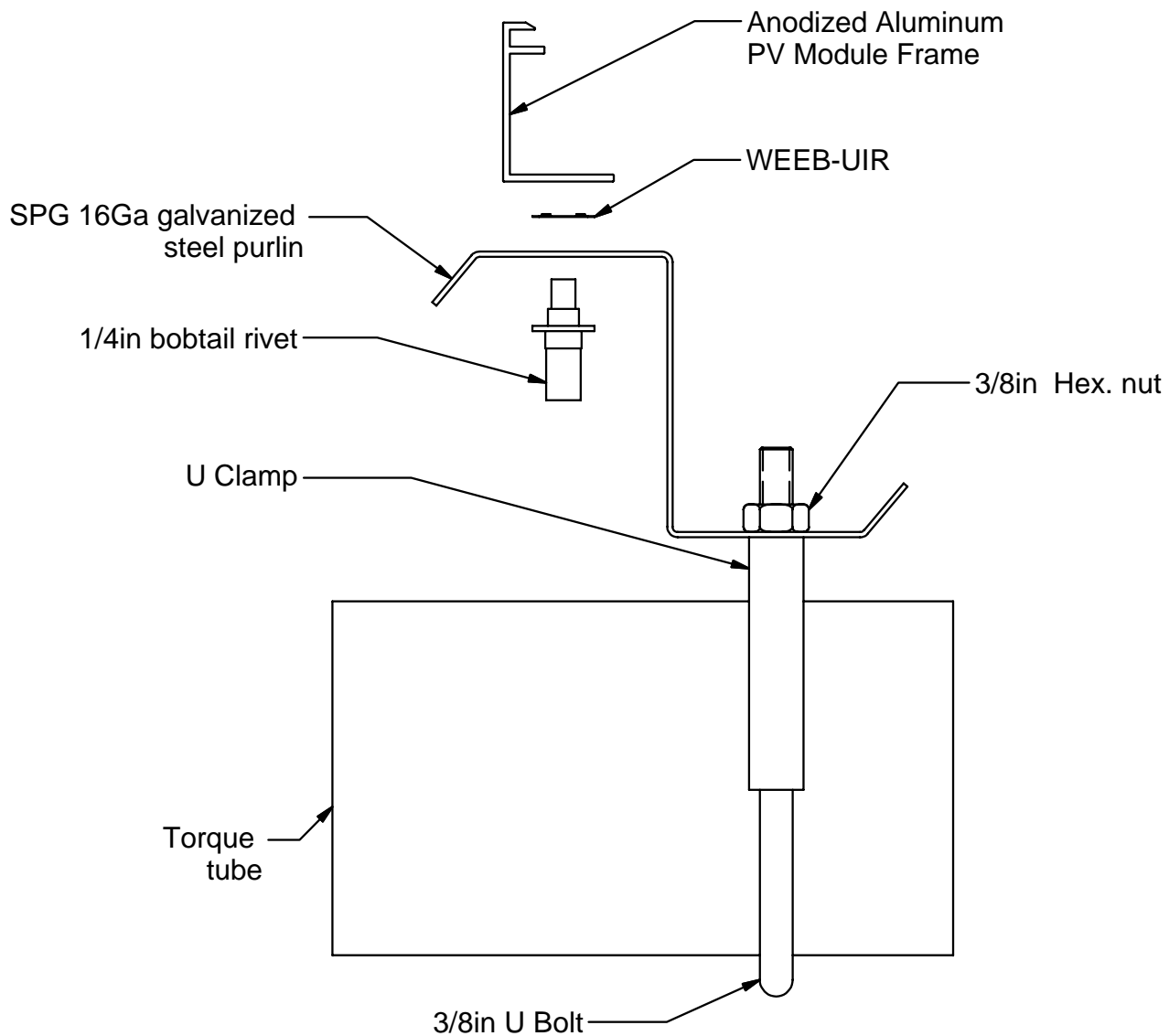
X DENOTES PLACES TO INSTALL WEEB-DSK516

$$C \times R = 5 \times 1$$

$$\text{WEEB-DSK516 NEEDED} = 5 \times 1 = 5$$

WEEB-UIR COMPATIBILITY

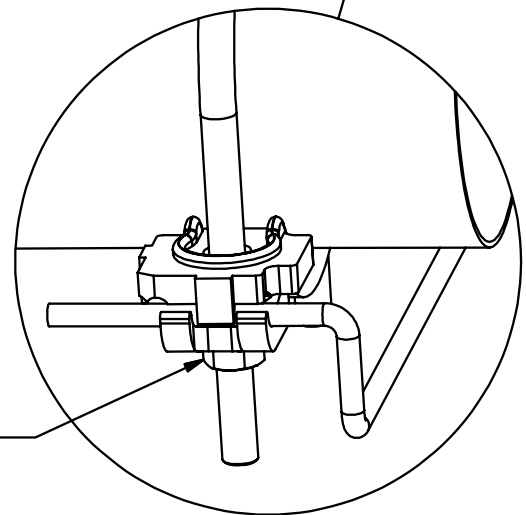
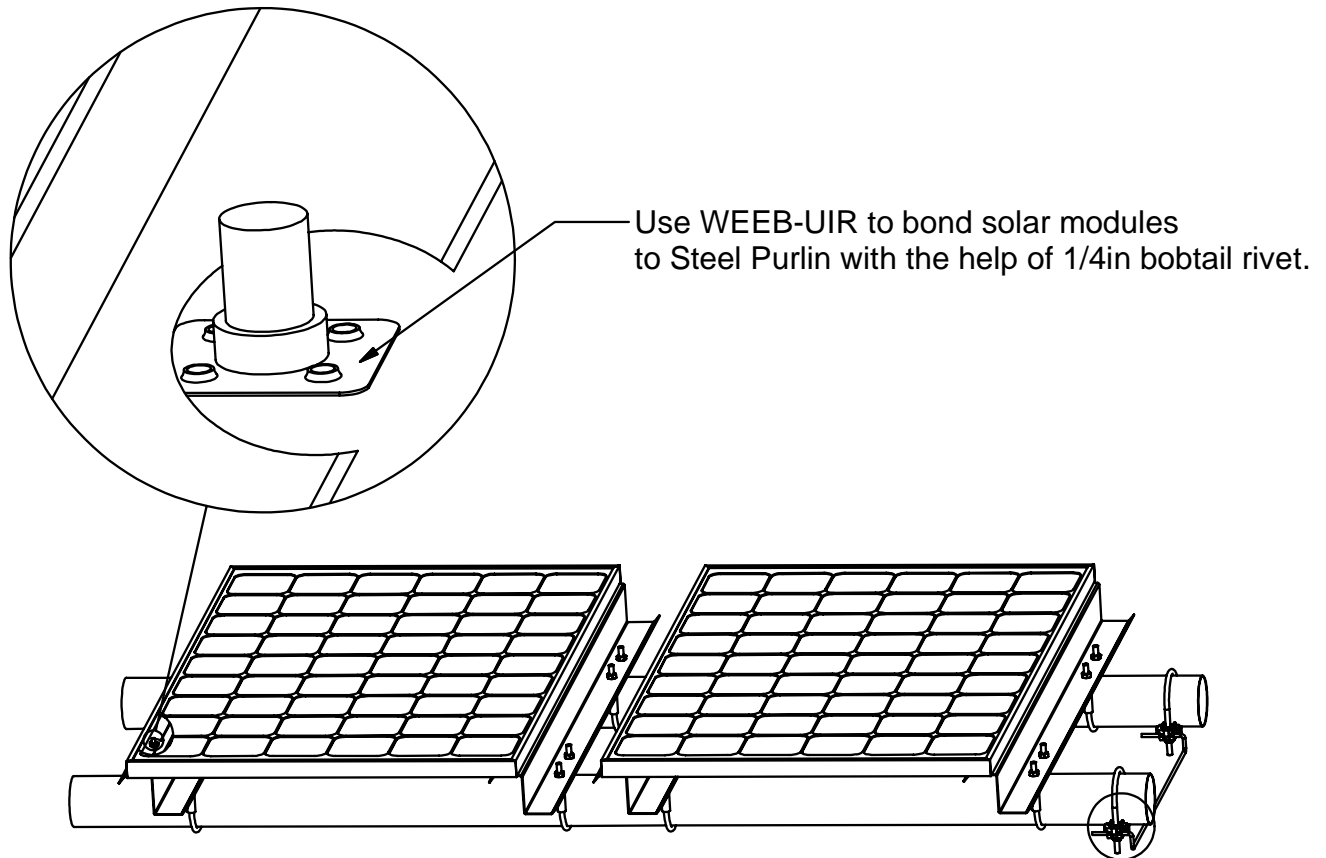
The WEEB™ washer family of products can be used to bond anodized aluminum, galvanized steel, steel and other electrically conductive metal structures. All installations shall be in accordance with NEC requirements in the USA and with CSA C22.1 in Canada. The WEEB™ washers are for use with modules that have a maximum fuse rating of less than 25A.



Note:

Inspect each module frame used with a WEEB™ device to ensure that the bottom mounting face of the frame is flat, and that there are no hindrances to embedding WEEB™ washer teeth. Do not use a module with a frame that prevents the WEEB™ washer teeth from embedding fully.

WEEB-UIR SYSTEM OVERVIEW

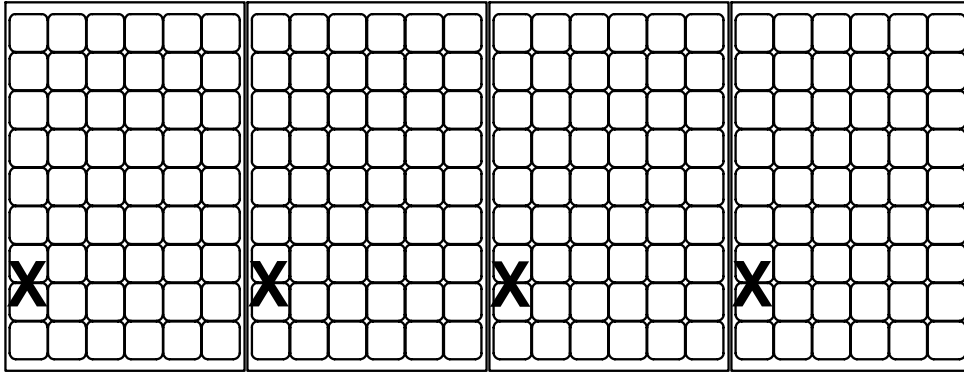


Important notes:

1. Use general purpose anti-seize compound on fastener threads when installing WEEB™ washers.
2. The NEC section 690.43 states “Exposed non-current carrying metal parts of module frames, equipment, and conductor enclosures shall be grounded in accordance with 250.134 or 250.136(A) regardless of voltage”.
3. WEEB™ washers are intended for **SINGLE USE ONLY**. Functionality will not be guaranteed if reused.

WEEB-UIR LAYOUT

EVEN NUMBER OF MODULES IN ROW

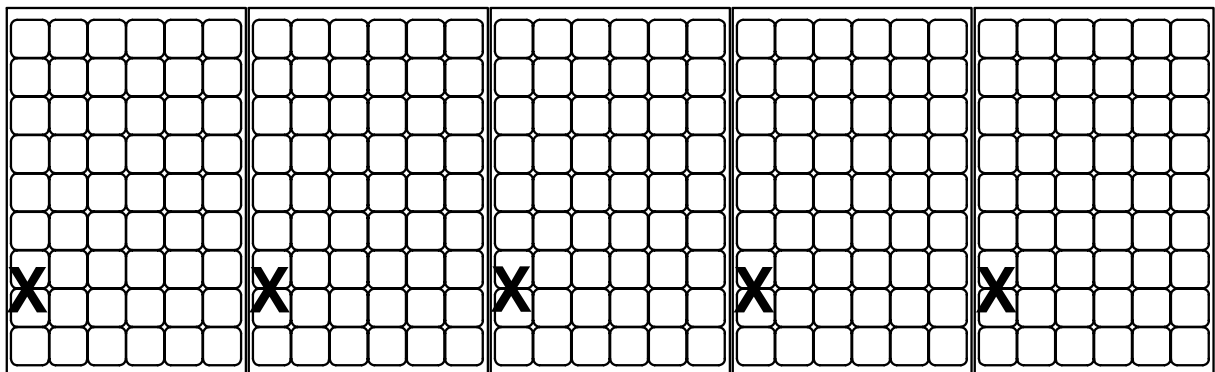


X DENOTES PLACES TO INSTALL WEEB-UIR

$$C \times R = 4 \times 1$$

$$\text{WEEB-UIR NEEDED} = C \times R = 4 \times 1 = 4$$

ODD NUMBER OF MODULES IN ROW



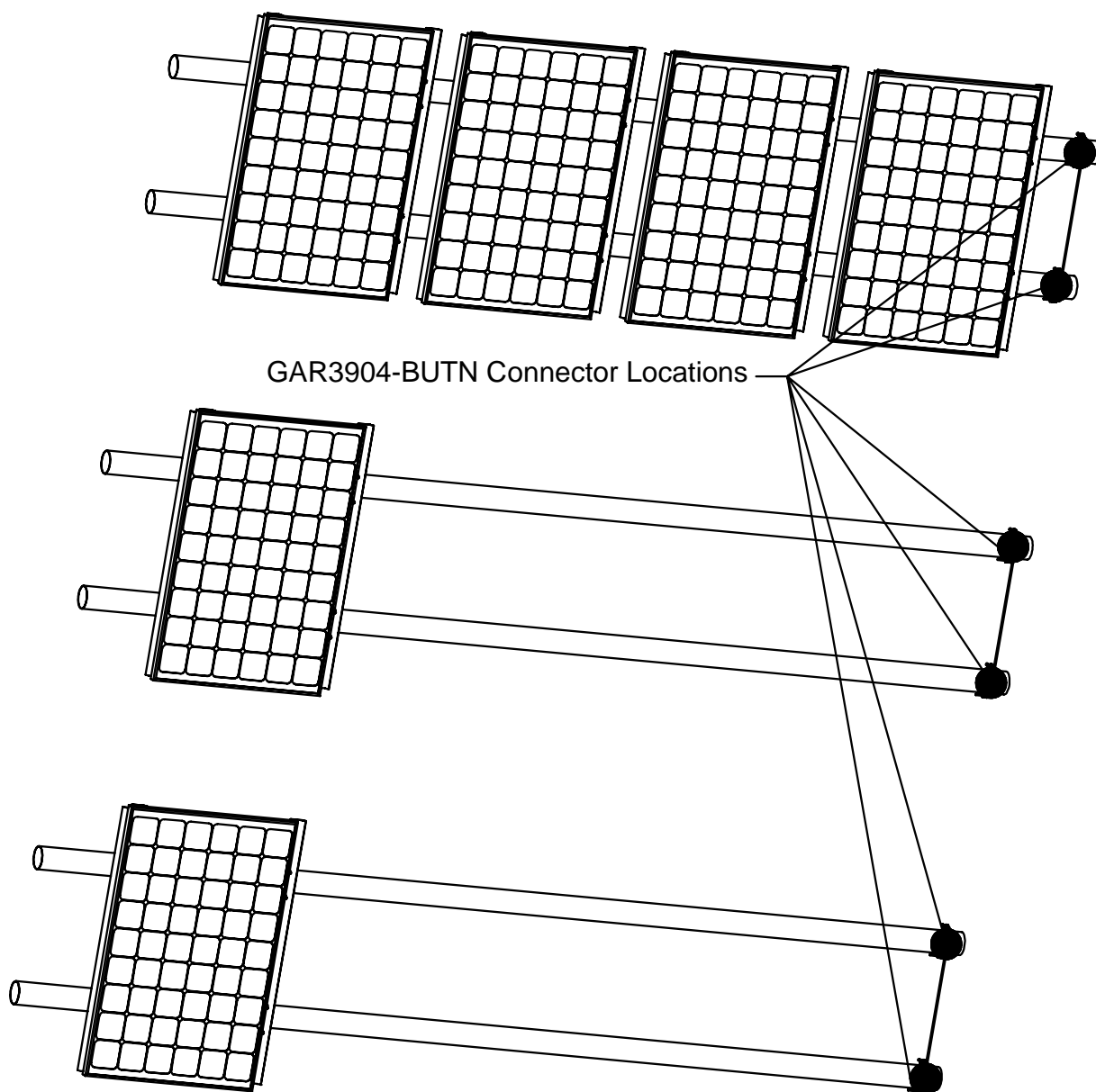
X DENOTES PLACES TO INSTALL WEEB-UIR

$$C \times R = 5 \times 1$$

$$\text{WEEB-UIR NEEDED} = 5 \times 1 = 5$$

GAR3904-BUTN Connector LOCATIONS

Install **GAR3904-BUTN Connector's** at the following marked locations.



Customer Service Department
7 Aviation Park Drive
Londonderry, NH 03053
1-800-346-4175
1-603-647-5299 (International)