

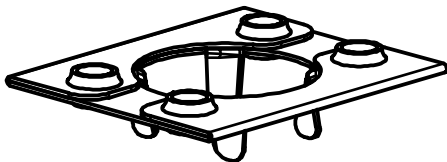


Washer, Electrical Equipment Bond

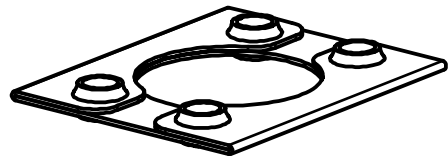
WEEB[®] WASHER

INSTALLATION INSTRUCTIONS *For DP&W Ground Mounts Only*

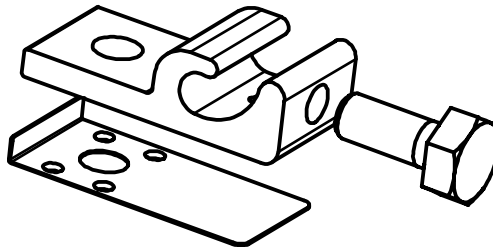
Burndy LLC recommends that the sufficient details of the installation be submitted to the AHJ for approval before any work is started.



WEEB-9.5



WEEB-9.5NL



WEEB-LUG-6.7

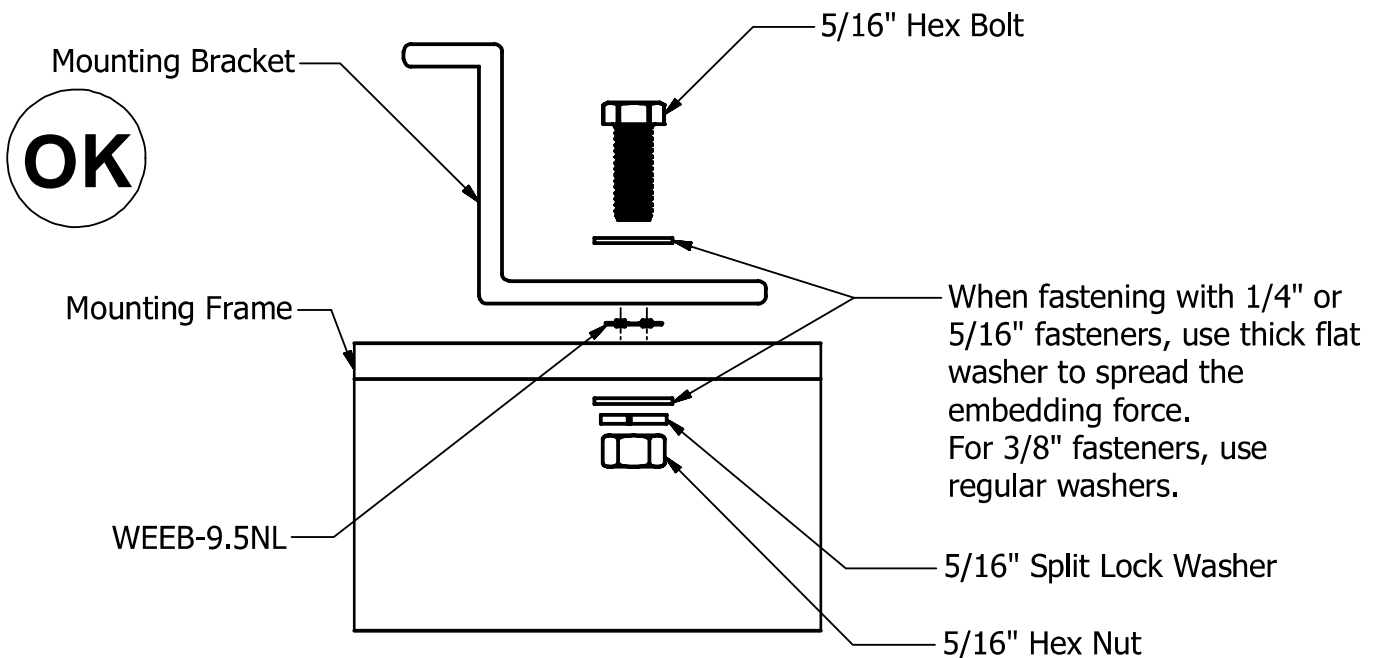
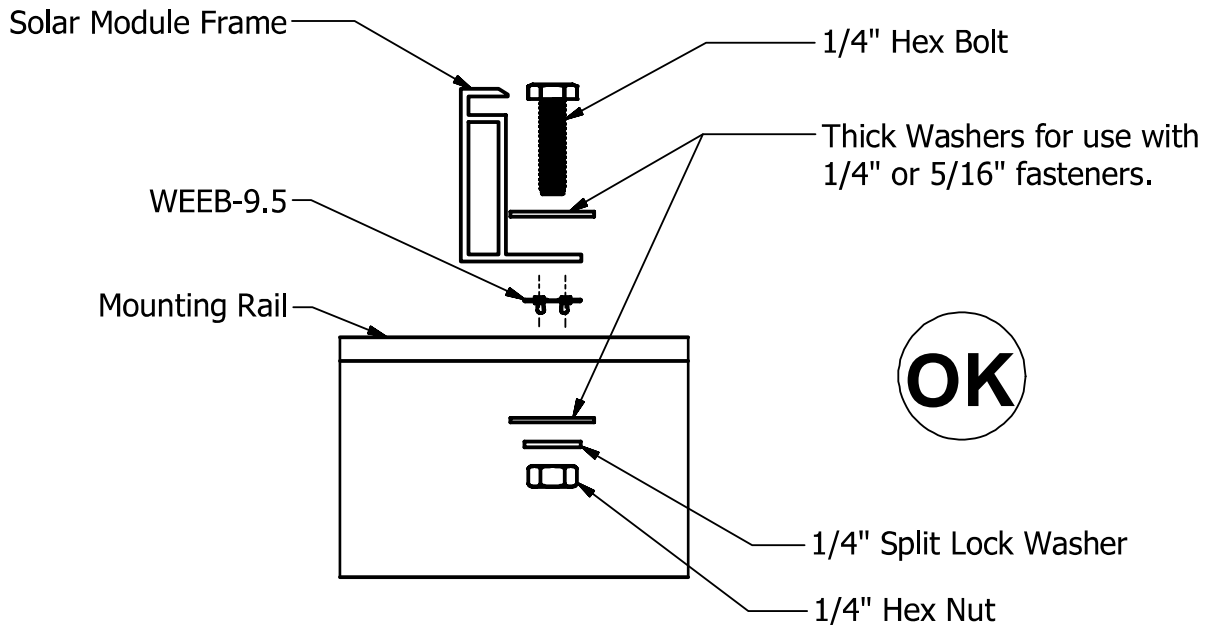


Products are tested to UL 467, CAN/CSA-C22.2 No. 41 US/ Canadian standards for safety grounding and bonding equipment.



WEEB-9.5 AND WEEB-9.5NL COMPATIBILITY

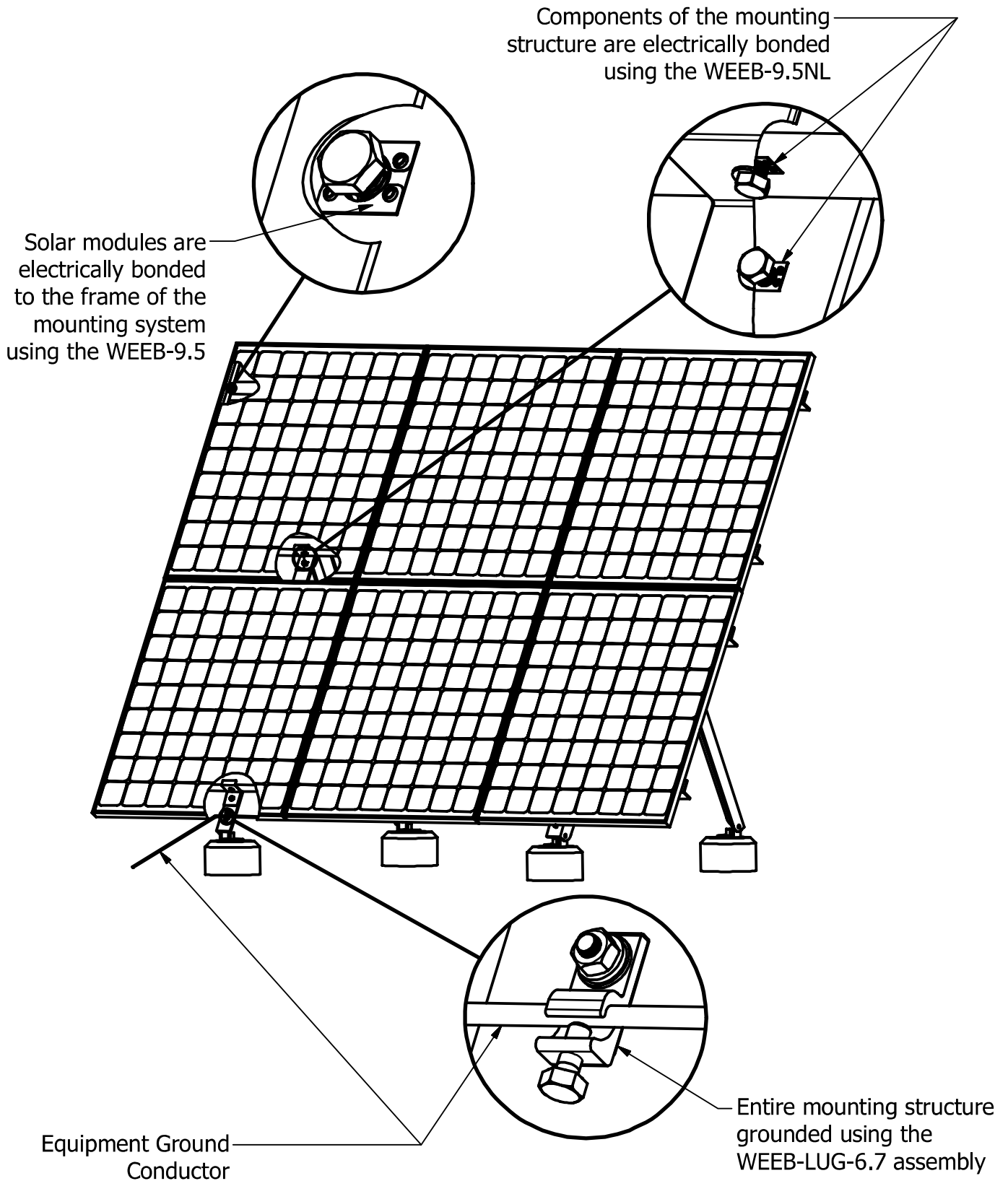
The WEEB® washer family of products can be used to bond anodized aluminum, galvanized steel, steel and other electrically conductive metal structures. All installations shall be in accordance with NEC requirements in the USA and with CSA C22.1 in Canada. The WEEB® washers are for use with modules that have a maximum fuse rating of less than 25A.



Note:

Inspect each module frame used with a WEEB® device to ensure that the bottom mounting face of the frame is flat, and that there are no hindrances to embedding WEEB® washer teeth. Do not use a module with a frame that prevents the WEEB® washer teeth from embedding fully.

SYSTEM OVERVIEW

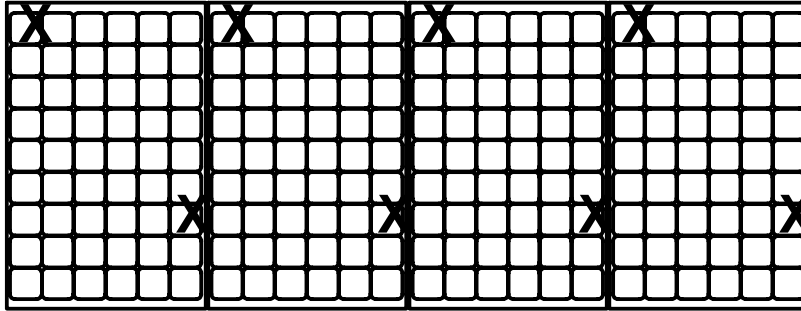


Important notes:

1. Use general purpose anti-seize compound on fastener threads when installing WEEB® washers.

WEEB-9.5 LAYOUT

EVEN NUMBER OF MODULES IN ROW

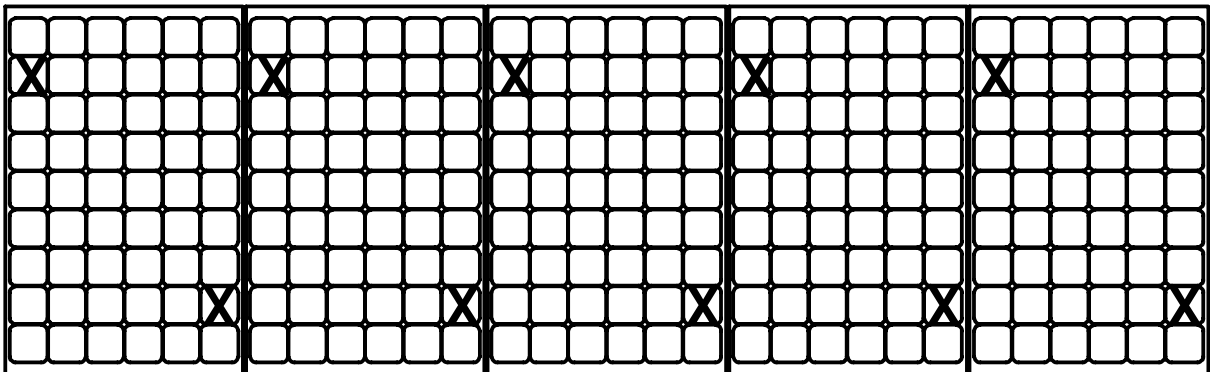


X DENOTES PLACES TO INSTALL WEEB-9.5

$$\text{COLUMN X [ROW X 2]} = C \times [R \times 2] = 4 \times [1 \times 2] = 8$$

$$\text{WEEB-9.5 NEEDED} = 8$$

ODD NUMBER OF MODULES IN ROW



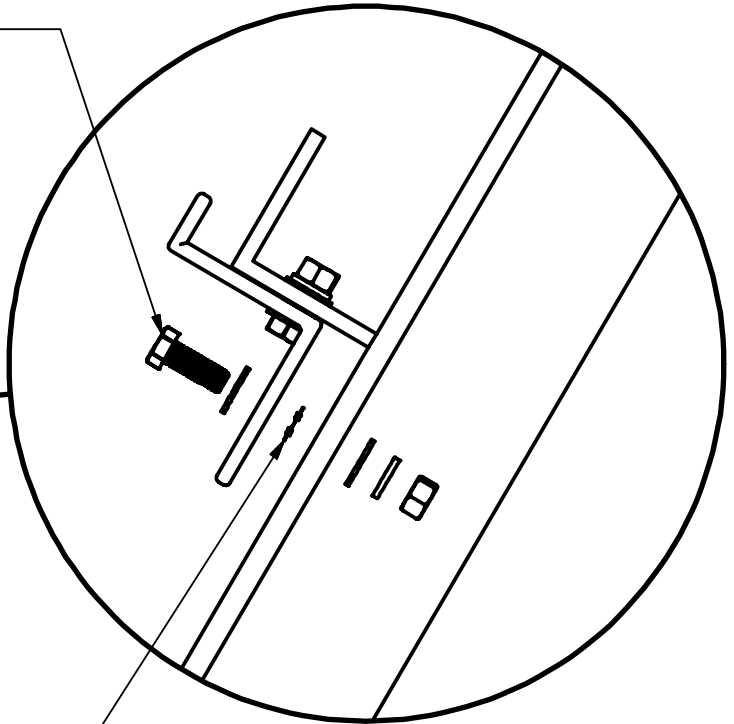
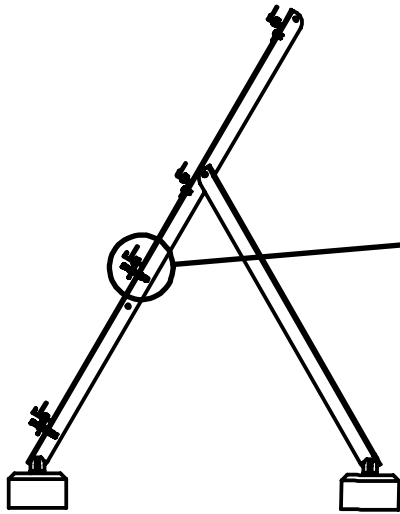
X DENOTES PLACES TO INSTALL WEEB-9.5

$$\text{COLUMN X [ROW X 2]} = C \times [R \times 2] = 5 \times [1 \times 2] = 10$$

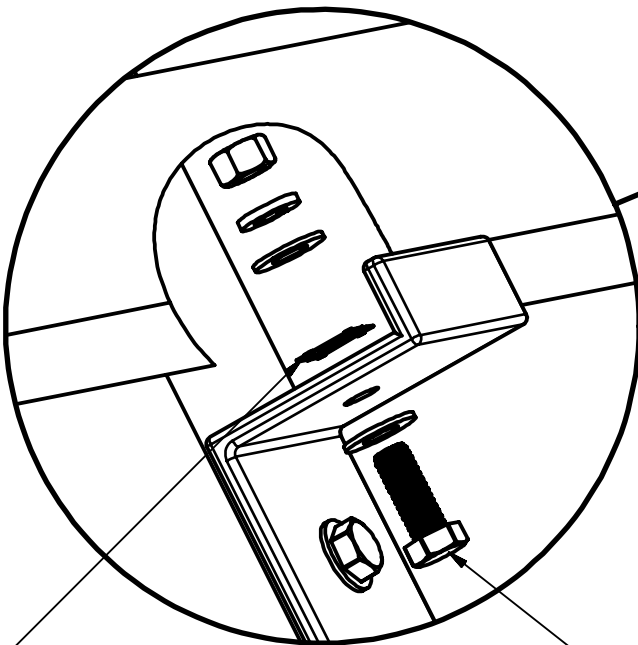
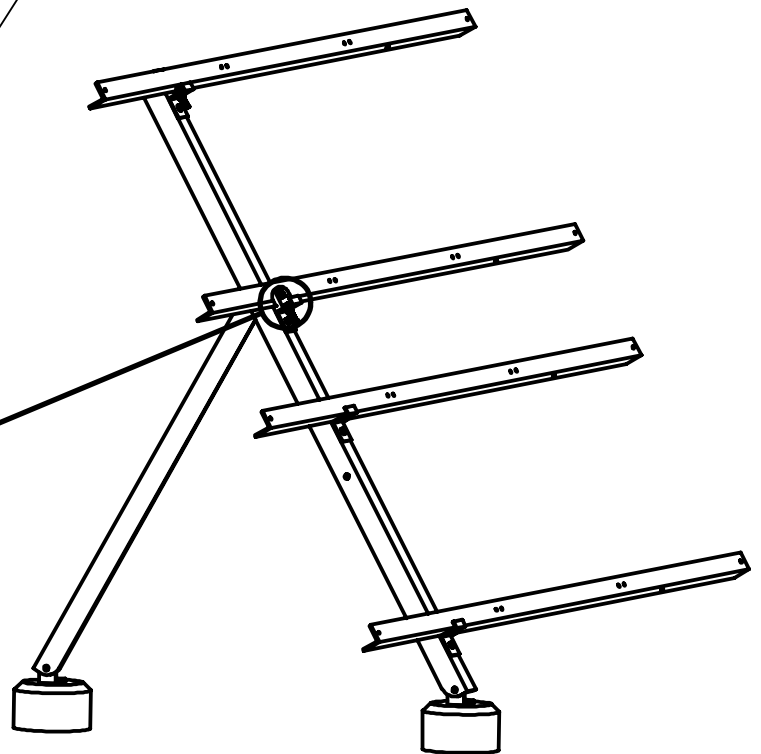
$$\text{WEEB-9.5 NEEDED} = 10$$

WEEB-9.5NL Installation

Torque fasteners to 15 ft-lb / 20.3 N-m after aligning all the rack members. Use general purpose anti-seize on threads.



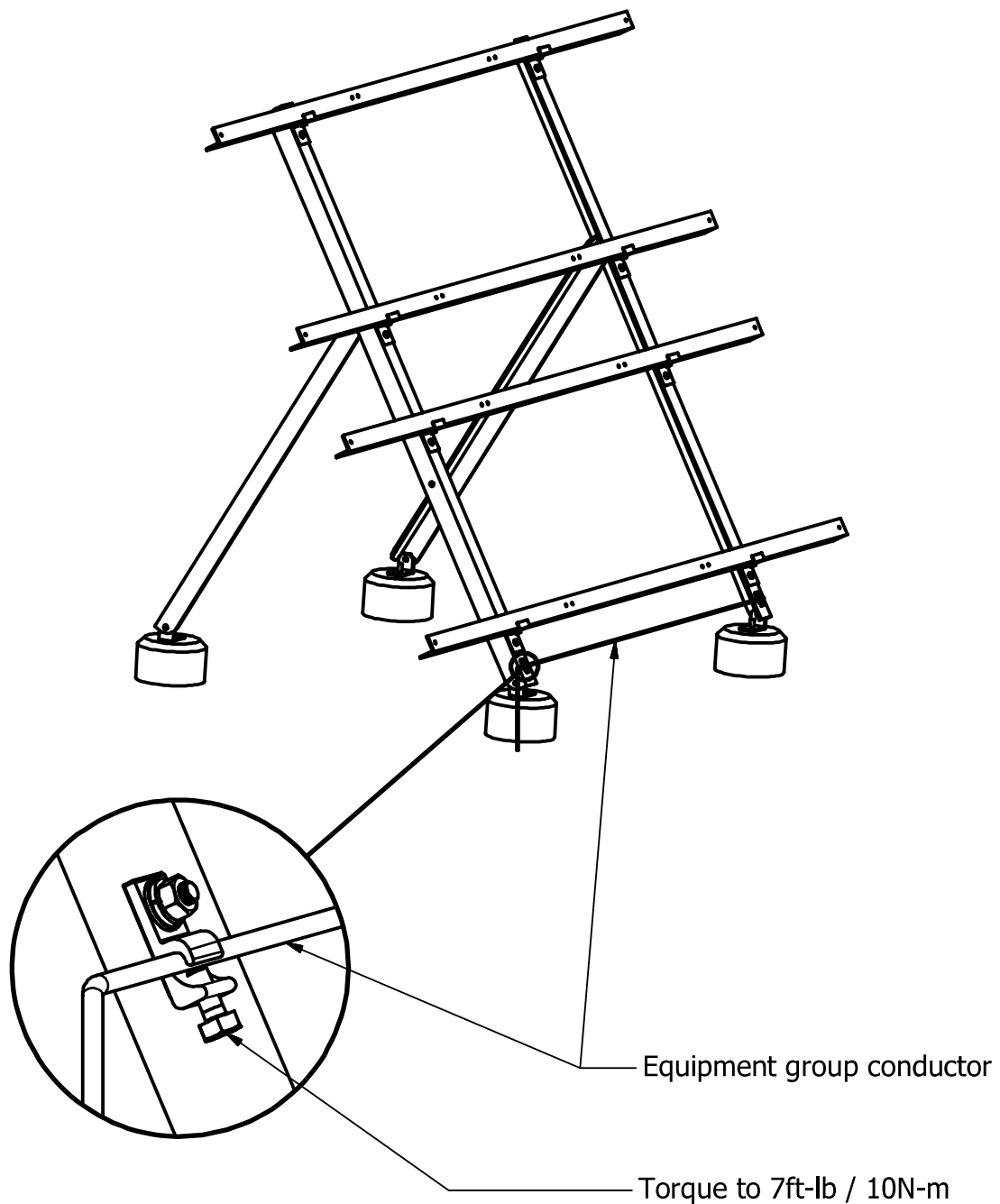
Install WEEB-9.5NL between mounting bracket and mounting frame



Install WEEB-9.5NL to bond mounting bracket and panel mounting frame

Torque fasteners to 15 ft-lb / 20.3 N-m after aligning all the rack members. Use general purpose anti seize on threads.

WEEB-LUG-6.7 LOCATIONS



Customer Service Department
7 Aviation Park Drive
Londonderry, NH 03053
1-800-346-4175
1-603-647-5299 (International)