



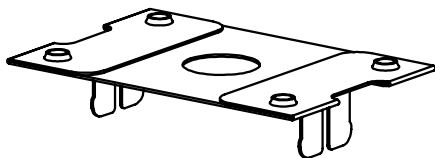
Washer, Electrical Equipment Bond

WEEB[®] WASHER

INSTALLATION INSTRUCTIONS

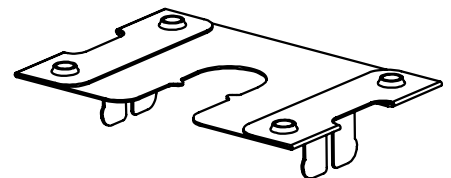
*For Schüco SolarEZ
Mounting System only*

Burndy LLC recommends that the sufficient details of the installation be submitted to the AHJ for approval before any work is started.

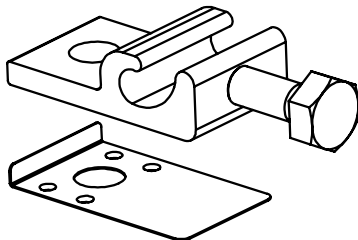


WEEB-SMC

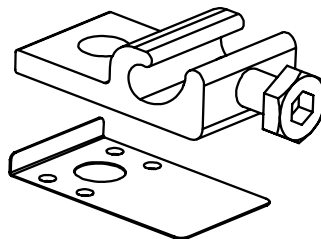
or



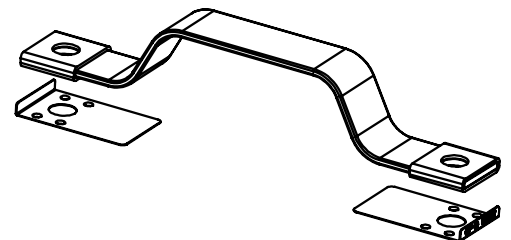
WEEB-SMC-2



WEEB-LUG-8.0



WEEB-LUG-8.0HS



WEEB-BNDJMP8.0



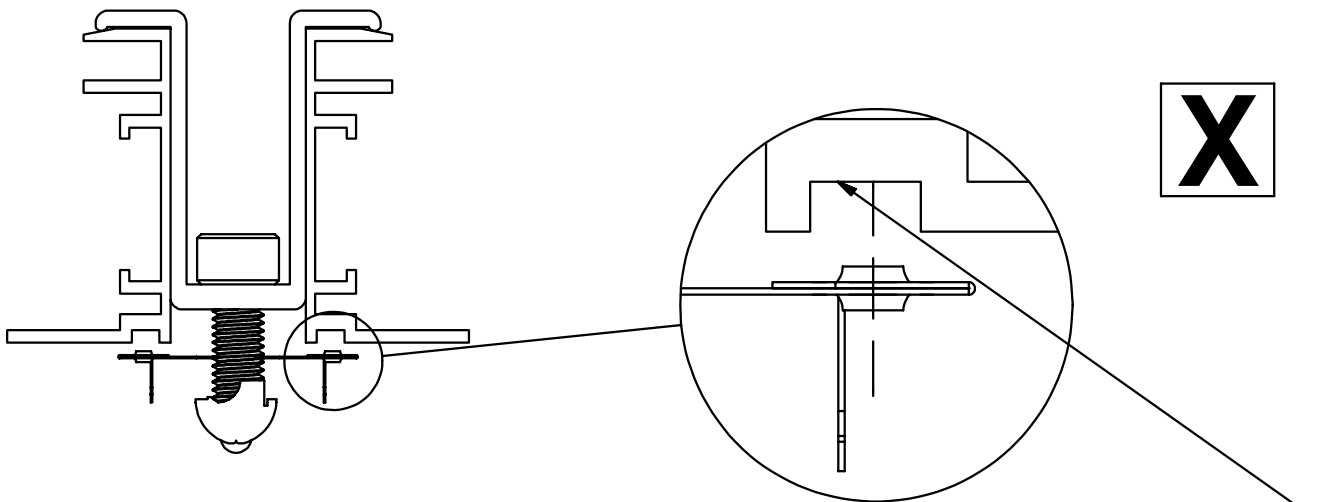
Products are tested to UL 467, CAN/CSA-C22.2 No. 41
US/Canadian standards for safety grounding and bonding equipment.



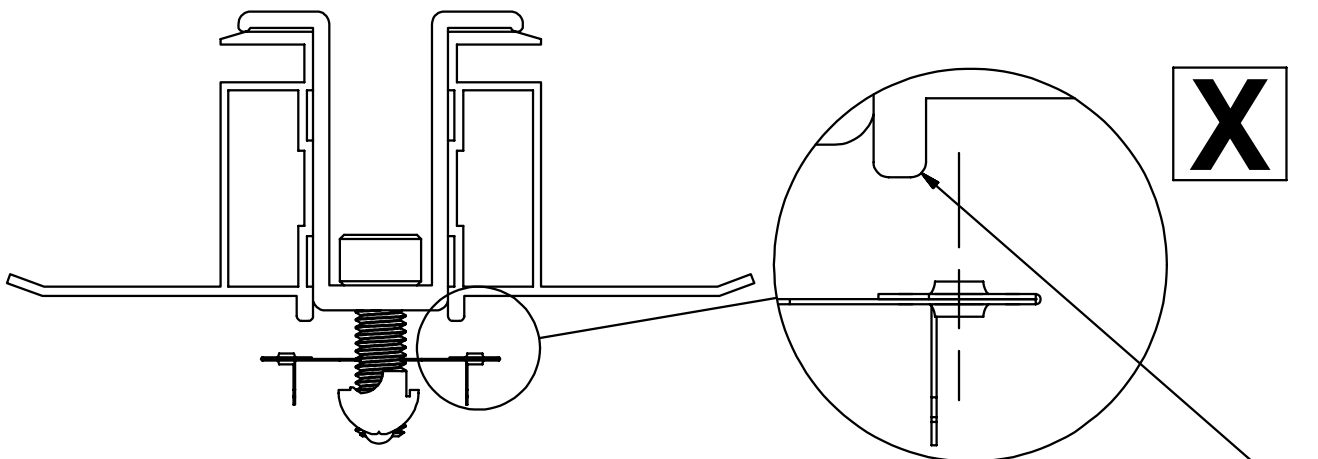
WEEB-SMC / WEEB-SMC-2 COMPATIBILITY

The WEEB® washer family of products can be used to bond anodized aluminum, galvanized steel, steel and other electrically conductive metal structures. All installations shall be in accordance with NEC requirements in the USA and with CSA C22.1 in Canada. The WEEB® washers are for use with modules that have a maximum fuse rating of less than 25A.

Module frames like those shown here may have a ridge or lip on the bottom edge of the frame that would prevent the WEEB® washer teeth from fully embedding.



Shown here is an example of a groove that will prevent the WEEB® washer teeth from properly penetrating the module frame. This type of frame is not compatible with the WEEB® washer.

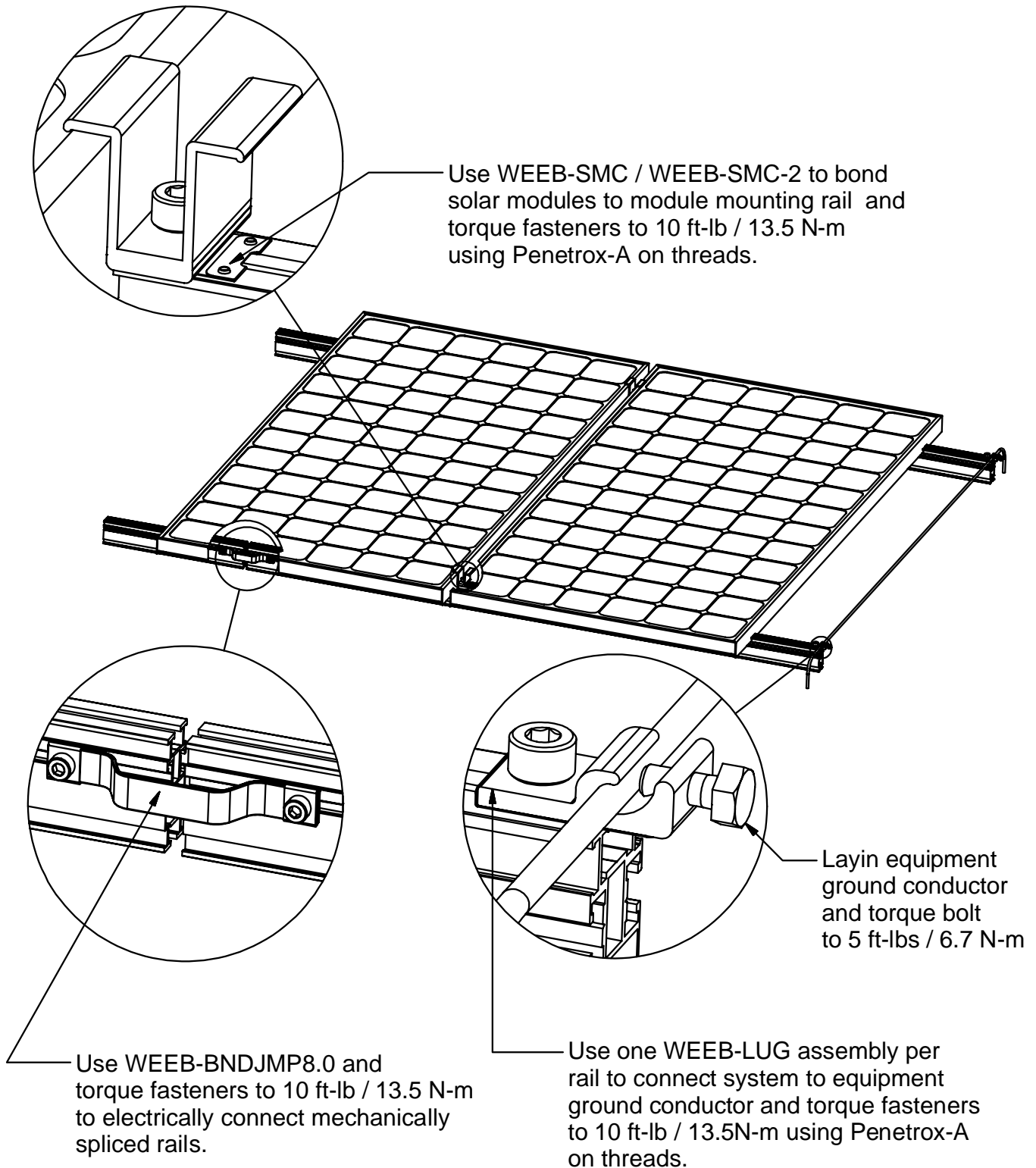


Shown here is an example of a lip that will prevent the WEEB® washer teeth from properly penetrating the module frame. This type of frame is not compatible with the WEEB® washer.

Note:

Inspect each module frame used with a WEEB® device to ensure that the bottom mounting face of the frame is flat, and that there are no hindrances to embedding WEEB® washer teeth. Do not use a module with a frame that prevents the WEEB® washer teeth from embedding fully.

SYSTEM OVERVIEW

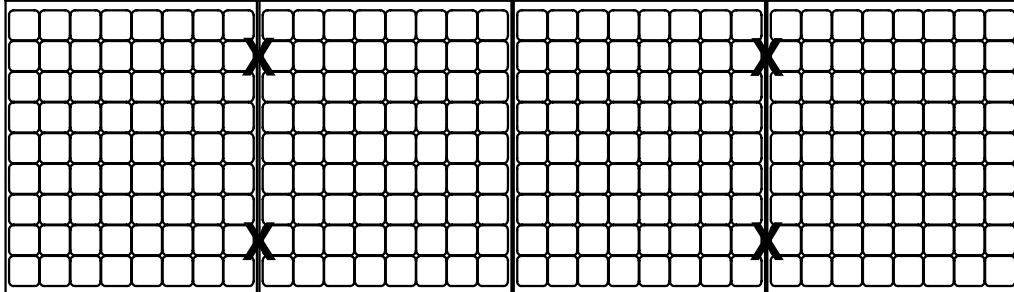


Important notes:

1. Use general purpose anti-seize compound (when not already pre-applied) on fastener threads when installing WEEB® washers.
2. The NEC section 690.43 states “Exposed non-current carrying metal parts of module frames, equipment, and conductor enclosures shall be grounded in accordance with 250.134 or 250.136(A) regardless of voltage”.

WEEB-SMC / WEEB-SMC-2 LAYOUT

EVEN NUMBER OF MODULES IN ROW

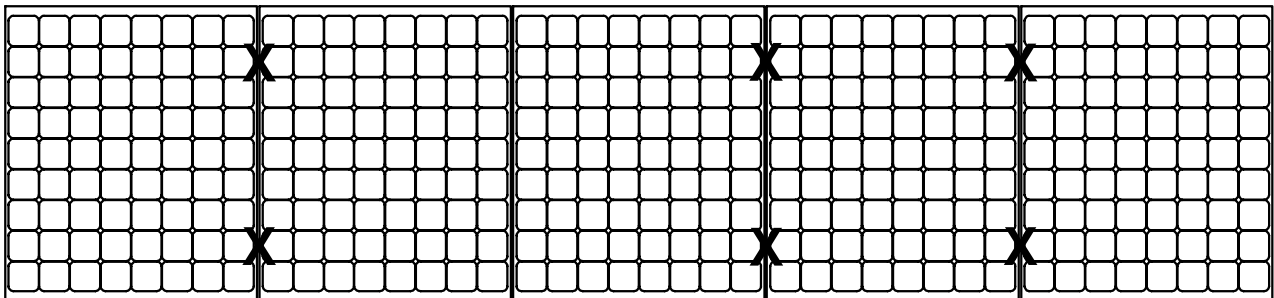


X DENOTES PLACES TO INSTALL WEEB-SMC / WEEB-SMC-2

$$\text{COLUMN X ROW} = C \times R = 4 \times 1 = 4$$

$$\text{WEEB-SMC / WEEB-SMC-2 NEEDED} = 4$$

ODD NUMBER OF MODULES IN ROW



X DENOTES PLACES TO INSTALL WEEB-SMC / WEEB-SMC-2

$$[\text{COLUMN} + 1] \times \text{ROW} = [C + 1] \times R = [5 + 1] \times 1 = 6$$

$$\text{WEEB-SMC / WEEB-SMC-2 NEEDED} = 6$$

Note:

When replacing a single faulty module, also remove the adjacent module which contacts the same WEEB® washers as the faulty module. This will ensure that there are never ungrounded modules in the array.

Customer Service Department
7 Aviation Park Drive
Londonderry, NH 03053
1-800-346-4175
1-603-647-5299 (International)