



Washer, Electrical Equipment Bond

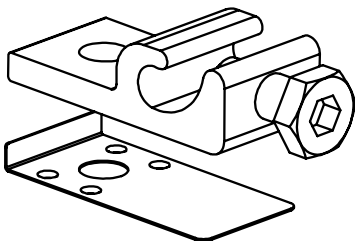
# WEEB® WASHER

## INSTALLATION INSTRUCTIONS

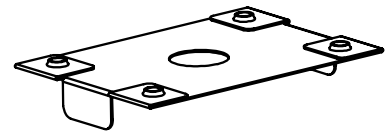
*For Professional Solar Products (ProSolar)  
RoofTrac® , GroundTrac® , SolarWedge®  
and SolarWedge® XD only*

Burndy LLC recommends that the sufficient details of the installation be submitted to the AHJ for approval before any work is started.

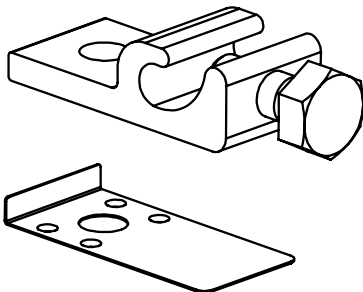
<b>NOTICE</b>	
	<p>PLEASE READ CAREFULLY BEFORE INSTALLING</p>



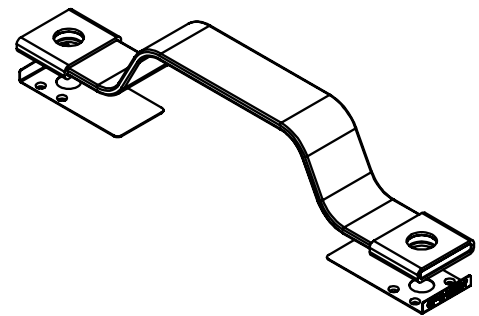
**WEEB-LUG-6.7HS**



**WEEB-PMC**



**WEEB-LUG-6.7**



**WEEB-BNDJMP6.7**



System is ANSI/UL 2703 Listed for Grounding and Bonding.  
Products are ANSI/UL 467 Listed and CSA C22.2 No. 41 for Grounding and Bonding Equipment.



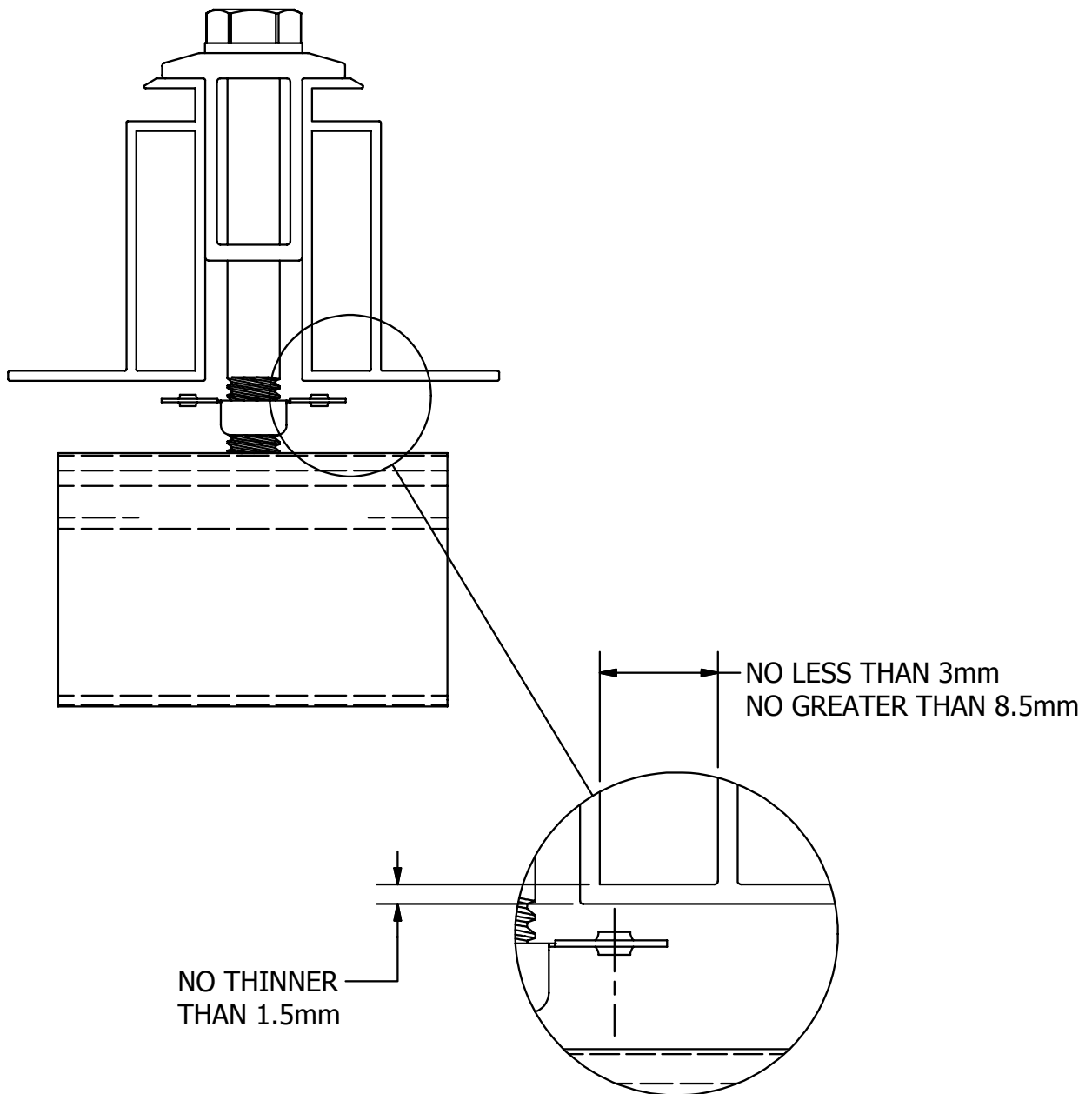
**Intertek**  
4004188



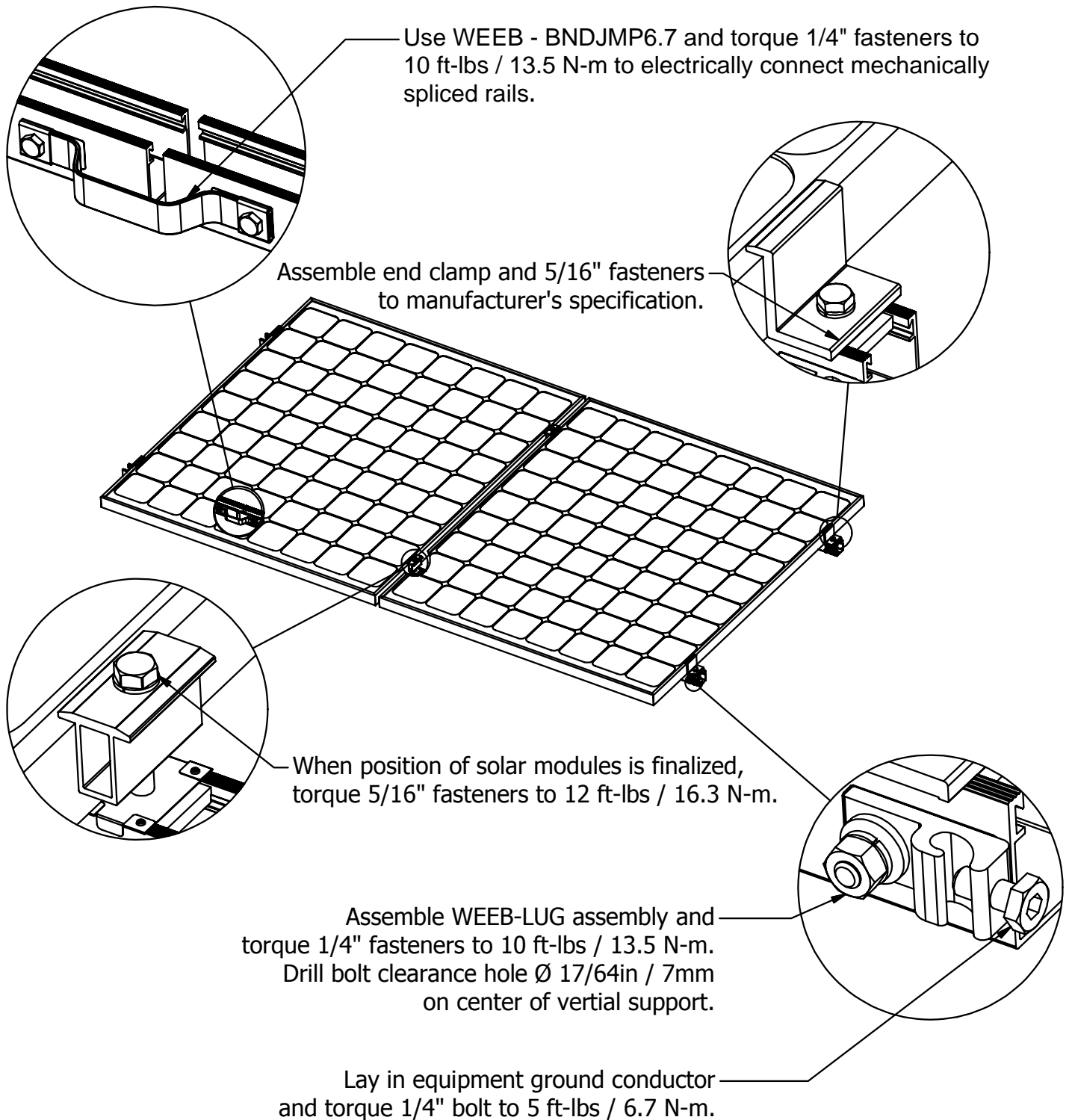
# WEEB-PMC COMPATABILITY

The WEEB® washer family of products can be used to bond anodized aluminum, galvanized steel, steel and other electrically conductive metal structures. All installations shall be in accordance with NEC requirements in the USA and with CSA C22.1 in Canada. The WEEB® washers are for use with modules that have a maximum fuse rating of 25A or less.

Certain module frames do not have enough structural strength to withstand the force required to embed a WEEB® washer. These frames will deform and therefore not allow sufficient penetration of the WEEB® washer teeth. The general requirements for minimum module frame thickness of "boxed" type module frames are illustrated below. For more information regarding module compatibility, please see the technical documents section of our website.



# SYSTEM OVERVIEW

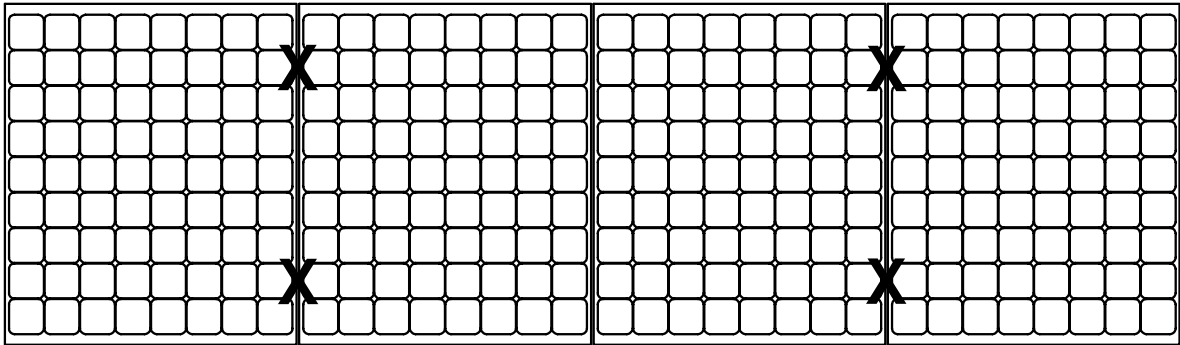


## Important notes:

1. Bond to ground path is accomplished through WEEB<sup>®</sup> washer since midclamps and endclamps are not electrically bonded.
2. Secure PV cables and reliably route cables away from top down clamps using optional Wiley cable clips.

# WEEB-PMC LAYOUT

## EVEN NUMBER OF MODULES IN ROW

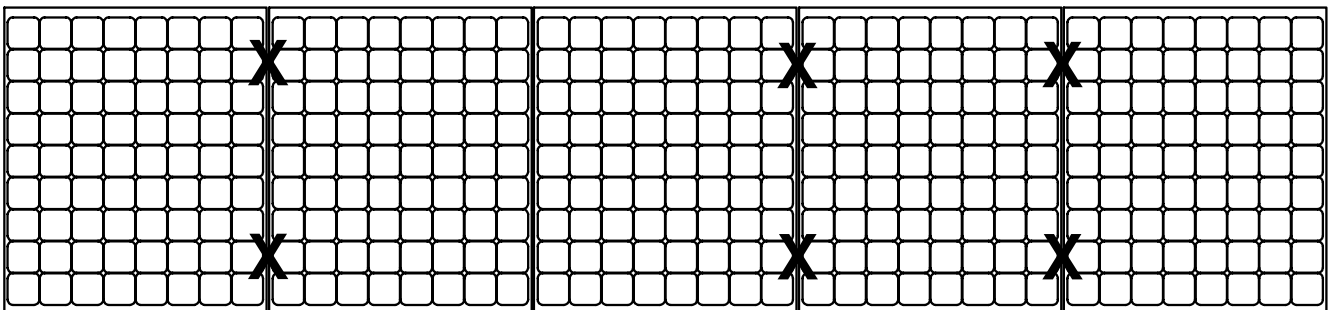


X DENOTES PLACES TO INSTALL WEEB-PMC

$$\text{COLUMN X ROW} = C \times R = 4 \times 1 = 4$$

WEEB-PMC NEEDED = 4

## ODD NUMBER OF MODULES IN ROW



X DENOTES PLACES TO INSTALL WEEB-PMC

$$[\text{COLUMN} + 1] \times \text{ROW} = [C + 1] \times R = [5 + 1] \times 1 = 6$$

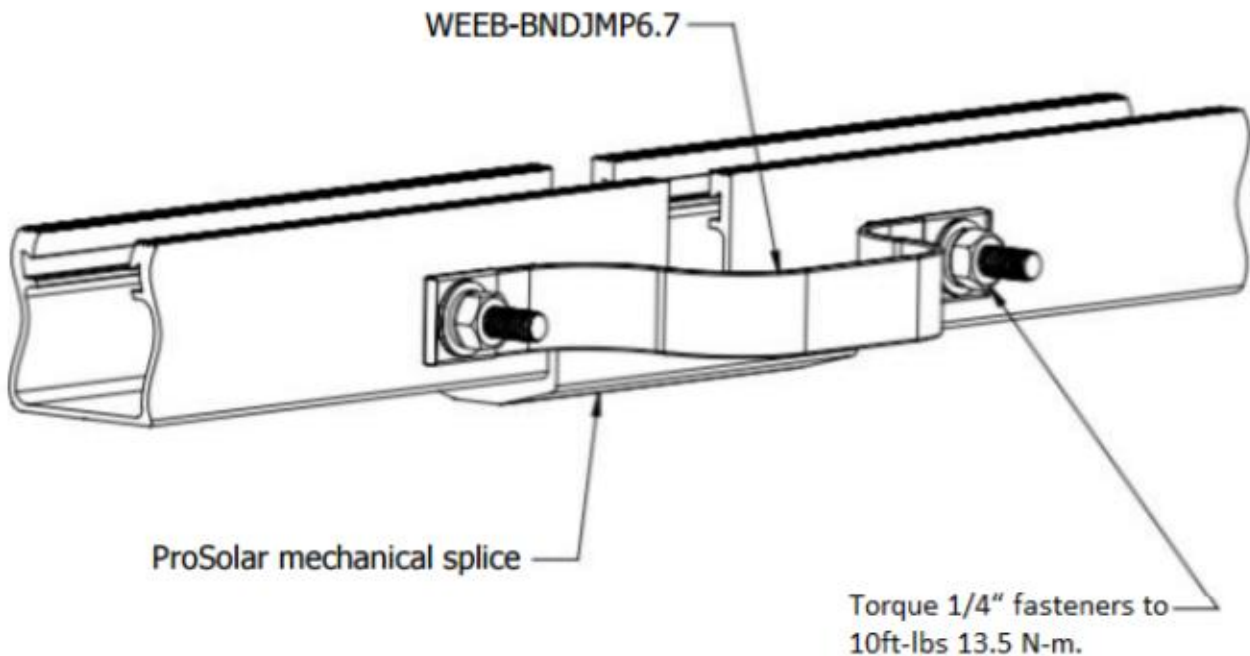
WEEB-PMC NEEDED = 6

### Note:

When replacing a single faulty module, also remove the adjacent module which contacts the same WEEB® washers as the faulty module. This will ensure that there are never ungrounded modules in the array.

# SPLICE KIT ASSEMBLY

WEEB-BNDJMP6.7 can be used for all rail splices including expansion joints.



**Customer Service Department**  
7 Aviation Park Drive  
Londonderry, NH 03053  
1-800-346-4175  
1-603-647-5299 (International)