



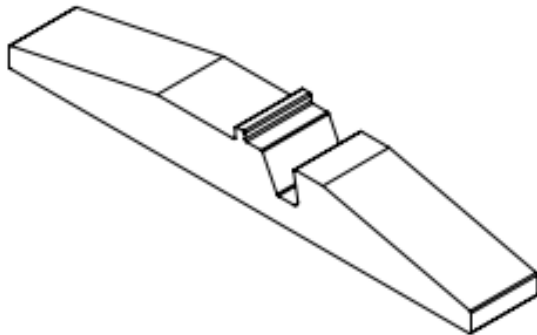
Washer, Electrical Equipment Bond

## WEEB<sup>®</sup> WASHER

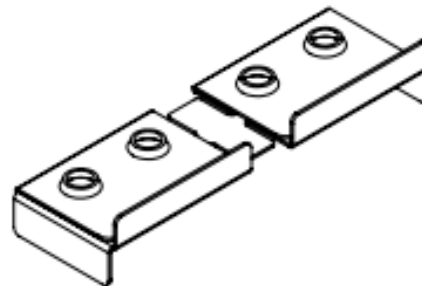
INSTALLATION INSTRUCTIONS

*For Conergy Solar Giant Only*

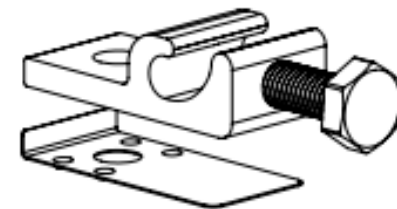
Please read carefully before installing.



Double Wedge



WEEB-CSG



WEEBLug-6.7 assembly



Products are tested to UL 467, CAN/CSA-C22.2 No. 41  
US / Canadian standards for safety grounding and bonding equipment.



Intertek

4004188



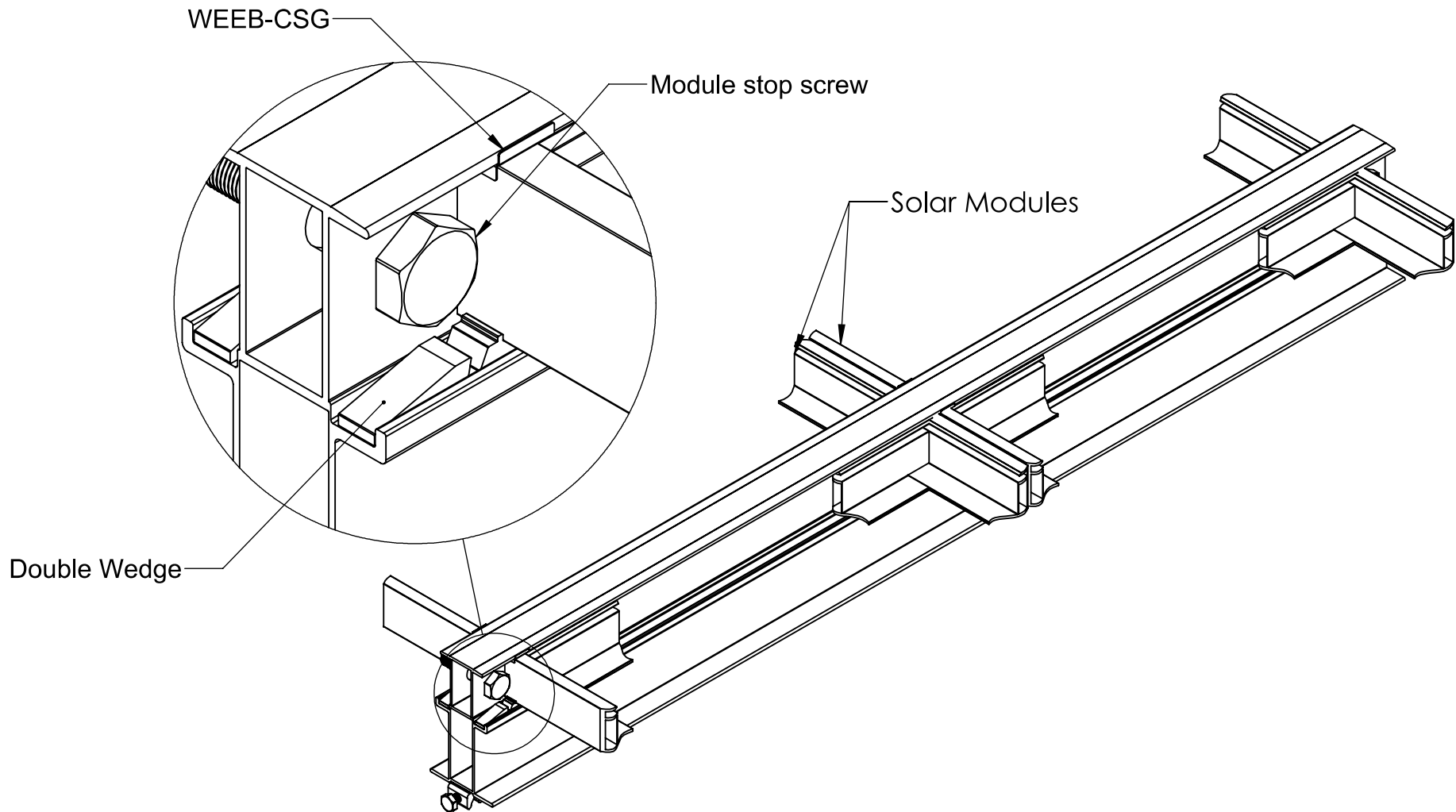
Document Number 50015240 Rev B

© 2014 BURNDY LLC.

Page 1 of 7



# WEEB-CSG AND DOUBLE WEDGE OVERVIEW



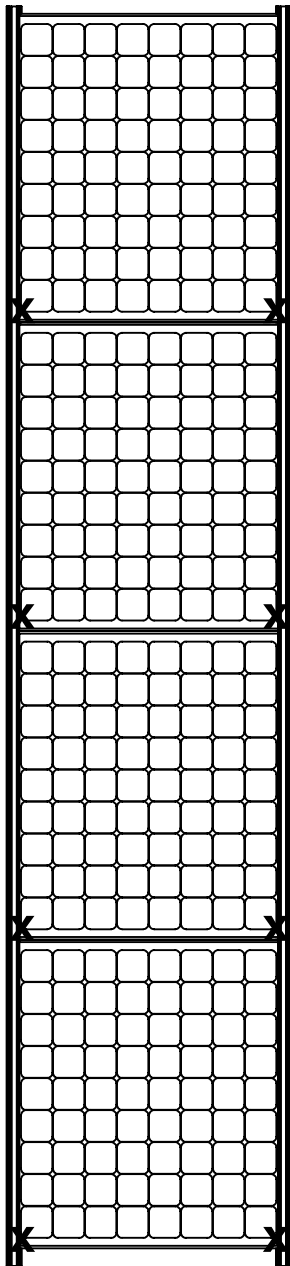
## Important Notes

1. Inspect each module frame used with a WEEB to ensure that the top mounting face of the frame is flat, and that there are no hinderances to embedding WEEB teeth. Do not use a module with a frame that prevents the WEEB teeth from embedding fully.
2. Additional tools required:
  - Piece of aluminum or similar non-marring material (for installing wedge)

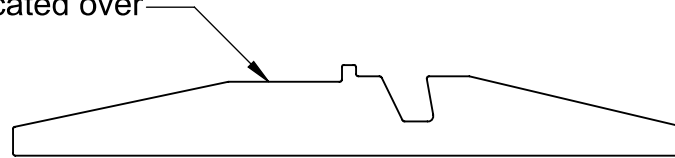
# WEEB-CSG Layout

**X** DENOTES PLACES TO INSTALL WEEB-CSG

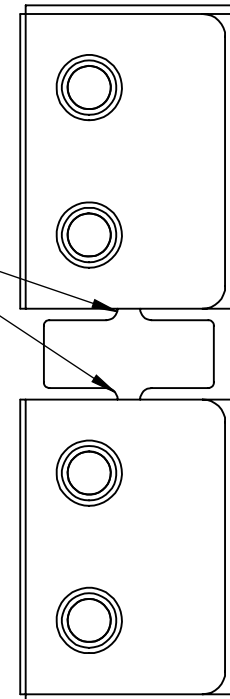
ONE WHOLE WEEB-CSG (TWO SECTIONS)  
PER SOLAR MODULE



Insert wedge so that  
WEEB is located over  
this face.



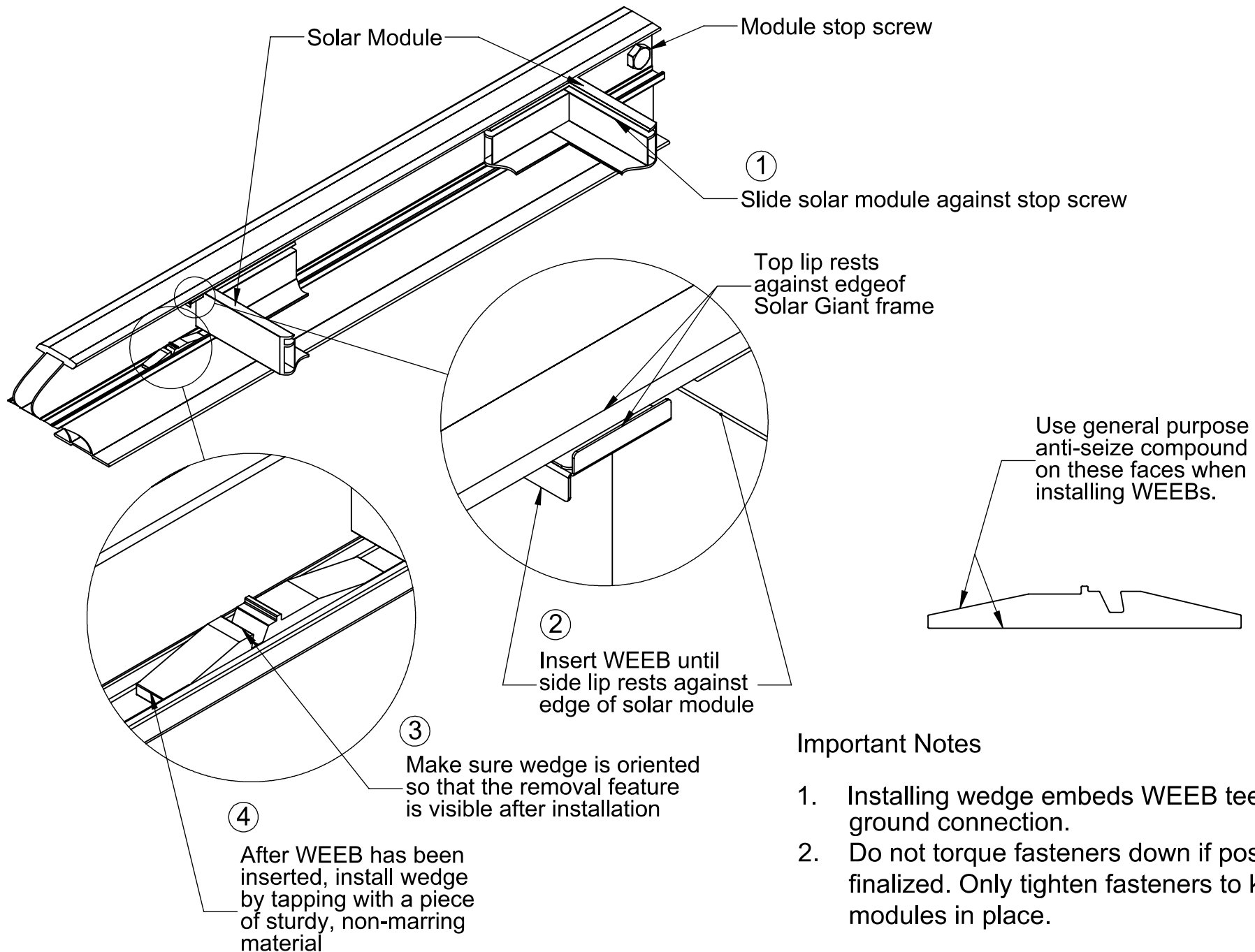
Split WEEB-CSG  
into two sections.  
Use one section  
on one corner of  
a module.



**Note:**

When replacing a single faulty module, also remove the adjacent module which contacts the same WEEBs as the faulty module. This will ensure that there are never ungrounded modules in the array.

# INSTALLING WEEB AND WEDGE



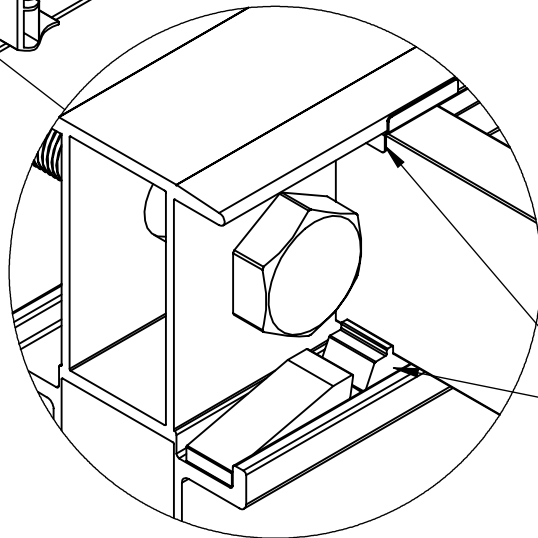
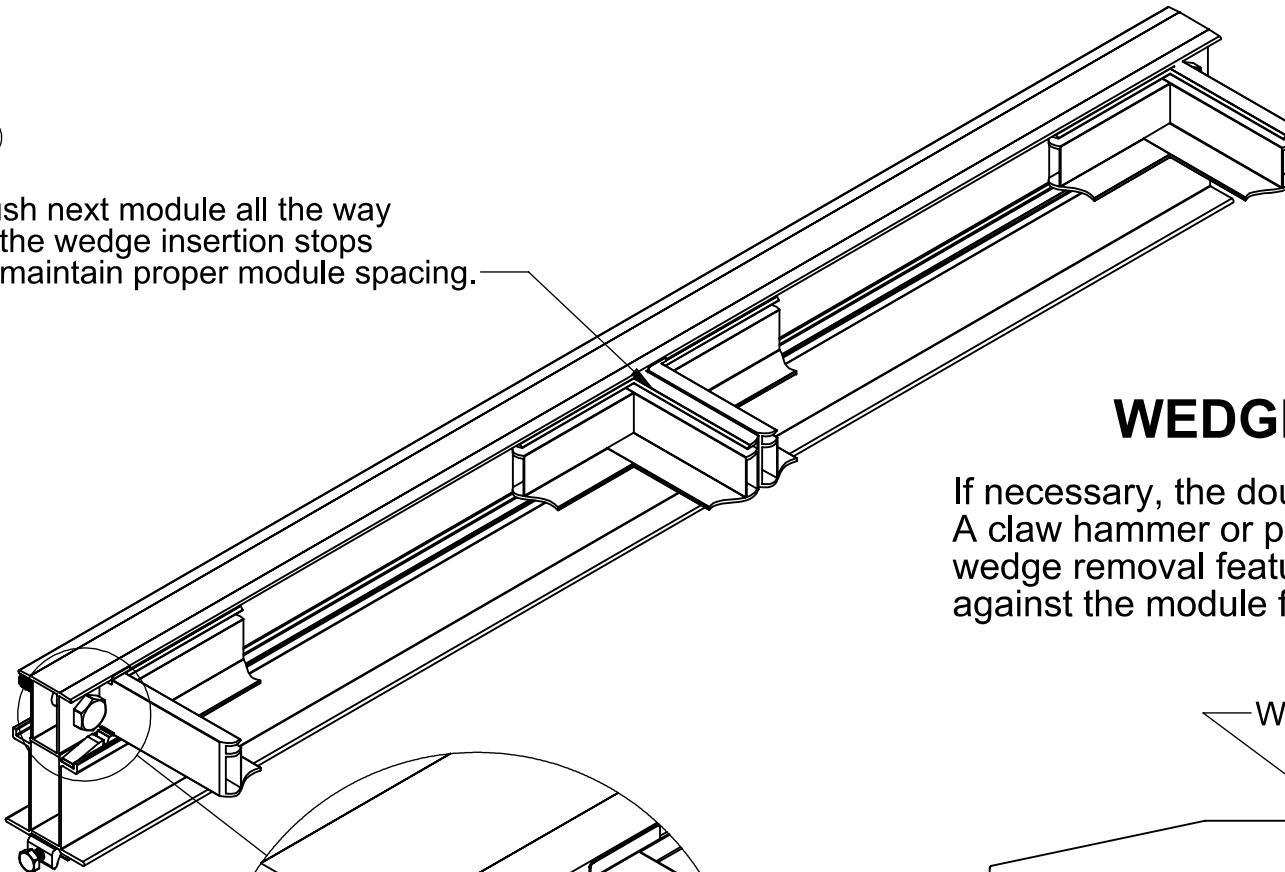
## Important Notes

1. Installing wedge embeds WEEB teeth forming ground connection.
2. Do not torque fasteners down if position is not finalized. Only tighten fasteners to keep modules in place.

# SECURING MODULES

5

Push next module all the way to the wedge insertion stops to maintain proper module spacing.



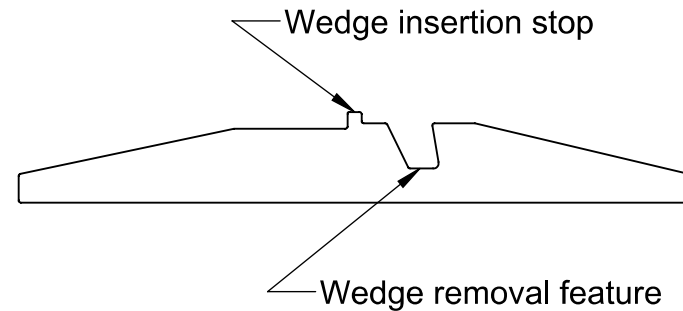
Wedge and module stop screw retains modules

6

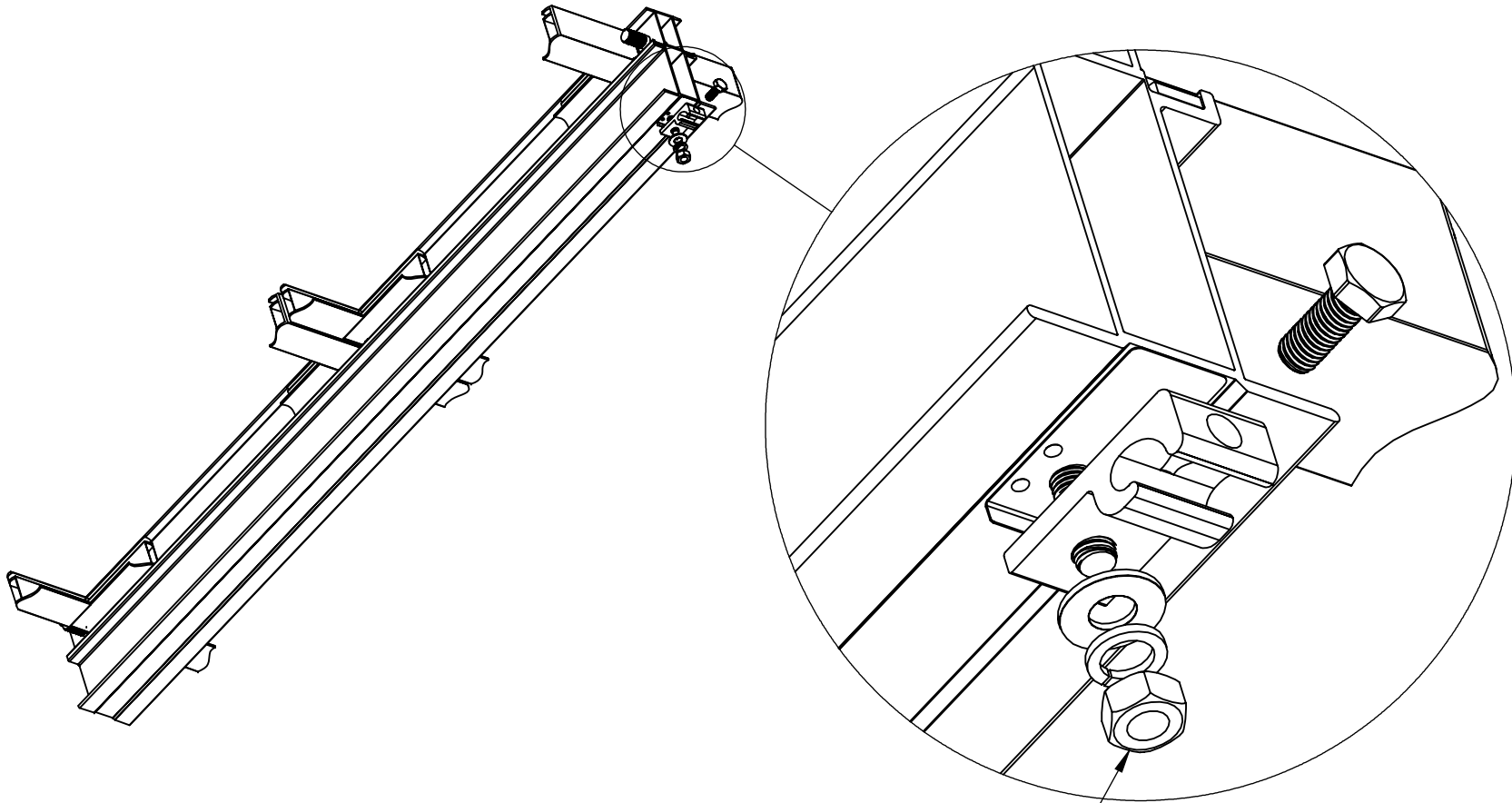
Install WEEB-CSG and double wedge on two corners of every module. Both WEEBs on a module must contact different mounting rails.

## WEDGE REMOVAL

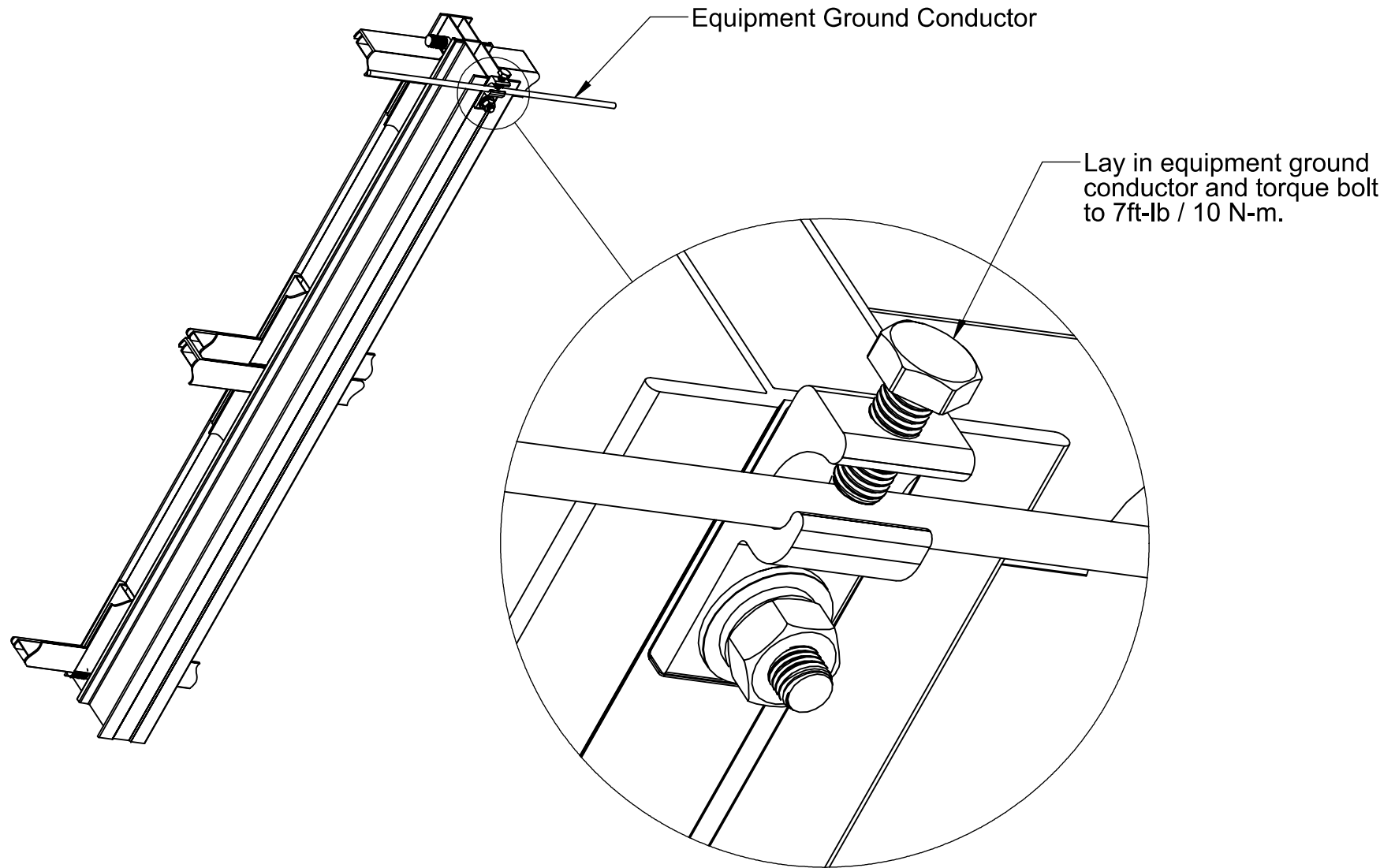
If necessary, the double wedge can be removed. A claw hammer or pry bar can be inserted into the wedge removal feature and used to gently pry against the module frame to remove the wedge.



# WEEBLUG ASSEMBLY



Assemble WEEBLug-6.7 assembly and tighten fasteners to 10ft-lb / 13.5 N-m, using general purpose anti-seize on threads.



**Customer Service Department**  
7 Aviation Park Drive  
Londonderry, NH 03053  
1-800-346-4175  
1-603-647-5299 (International)