

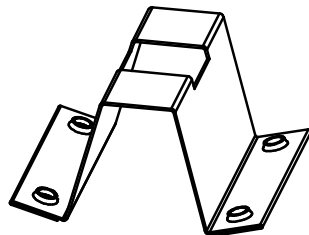
# **BURNDY**<sup>®</sup> Washer, Electrical Equipment Bond

## **WEEB<sup>®</sup> WASHER**

### **INSTALLATION INSTRUCTIONS** *For DPW Solar Power Rail P6 and P8 Systems only*

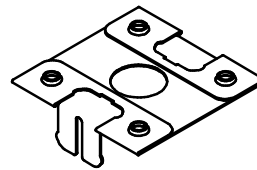
Please read carefully before installing.

Burndy LLC recommends that the sufficient details of the installation be submitted to the AHJ for approval before any work is started.

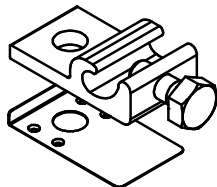


**WEEB-DPF**

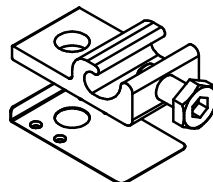
**OR**



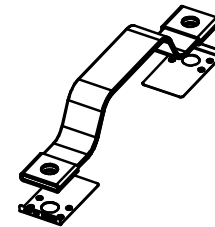
**WEEB-DPR**



**WEEB-LUG-8.0**



**WEEB-LUG-8.0HS**



**WEEB-BNDJMP8.0**



Products are tested to UL 467, CAN/CSA-C22.2 No. 41  
US/ Canadian standards for safety grounding and bonding equipment.



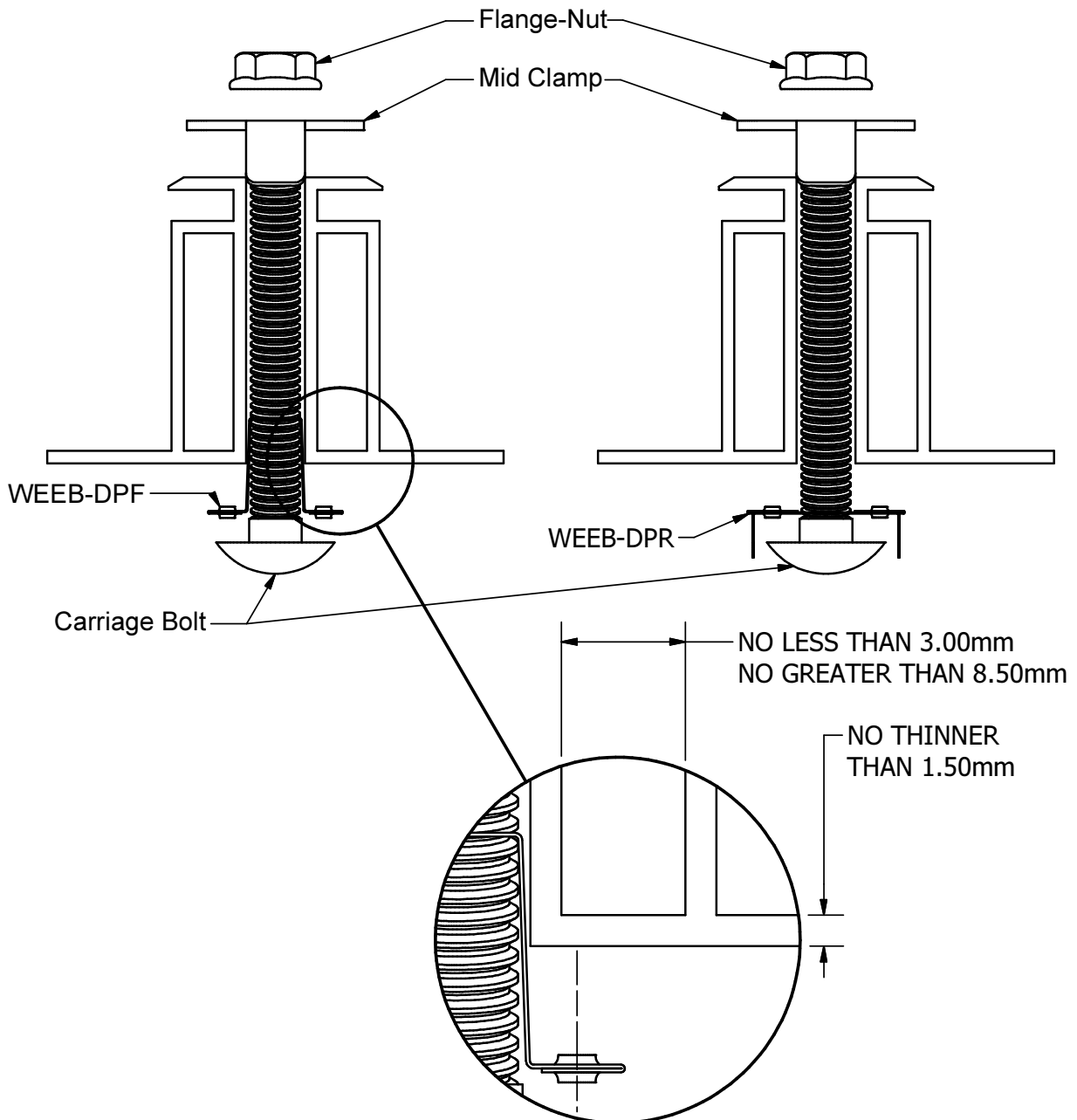
**Intertek**  
4004188



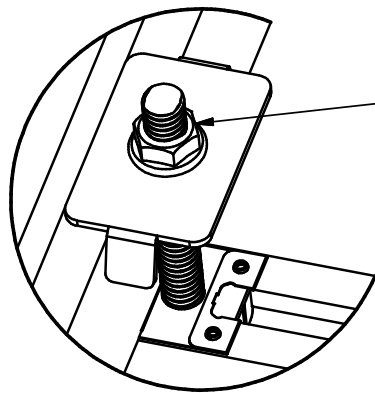
# WEEB-DPF or WEEB-DPR on Boxed Module Frames

The WEEB® washer family of products can be used to bond anodized aluminum, galvanized steel, steel and other electrically conductive metal structures. All installations shall be in accordance with NEC requirements in the USA and with CSA C22.1 in Canada. The WEEB® washers are for use with modules that have a maximum fuse rating of less than 25A.

Certain module frames do not have enough structural strength to withstand the force required to embed a WEEB® washer. These frames will deform and therefore not allow sufficient penetration of the WEEB® washer teeth. The general requirements for minimum module frame thickness of boxed" type module frames are illustrated below. For more information regarding module compatibility, please see the technical documents section of our website.

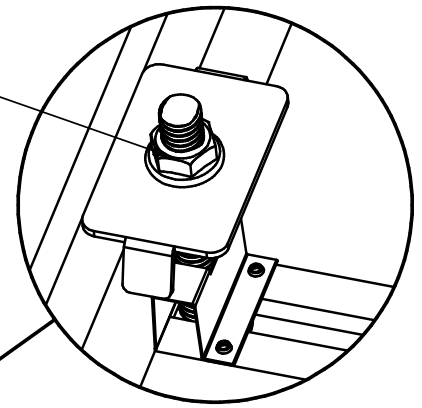


# SYSTEM OVERVIEW

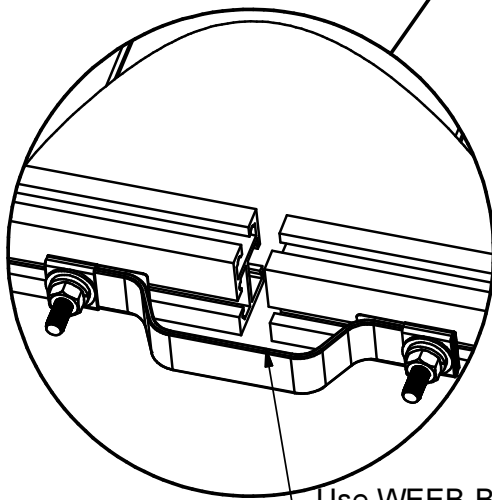
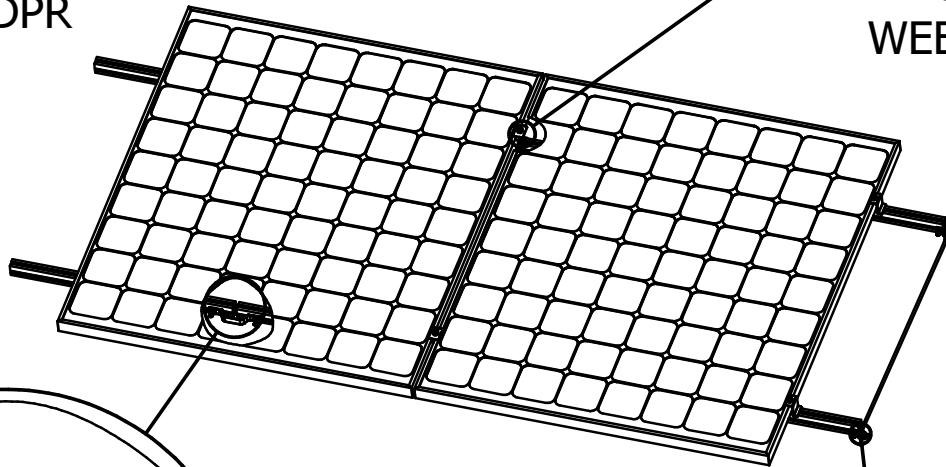


WEEB-DPR

Use WEEB-DPR or WEEB-DPF to bond solar modules frames to module mounting rail and torque fasteners to 15 ft-lbs / 20.5 N-m.



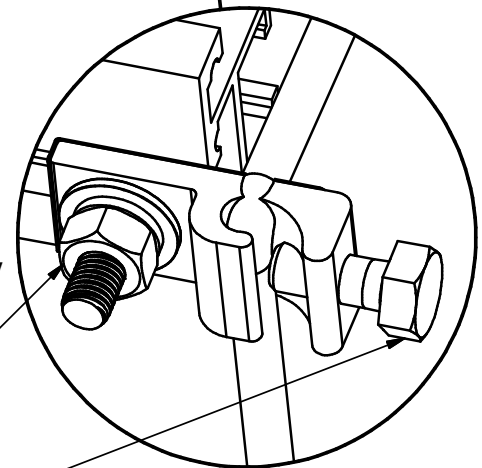
WEEB-DPF



Use WEEB-BNDJMP8.0 and torque fasteners to 10 ft-lbs / 13.5 N-m to electrically connect mechanically spliced rails.

Use one WEEB-LUG-8.0 assembly per rail to connect system to equipment ground conductor and torque fasteners to 15 ft-lbs / 20.5 N-m.

Lay in equipment ground conductor and torque bolt to 5 ft-lbs / 6.7 N-m.

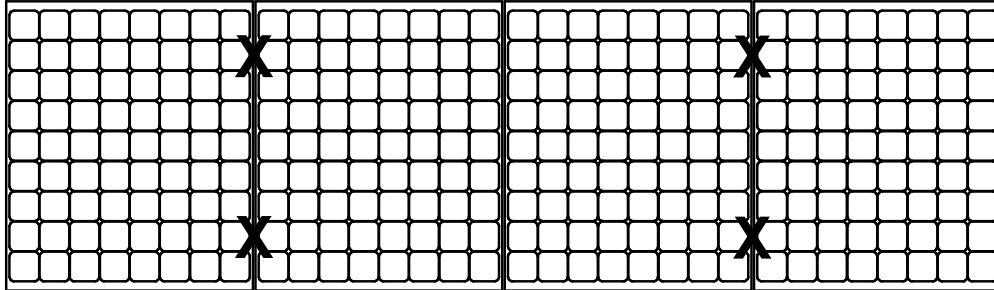


## Important notes:

1. The NEC section 690.43 states "Exposed non-current carrying metal parts of module frames, equipment, and conductor enclosures shall be grounded in accordance with 250.134 or 250.136(A) regardless of voltage".

# WEEB-DPF or WEEB-DPR LAYOUT

## EVEN NUMBER OF MODULES IN ROW

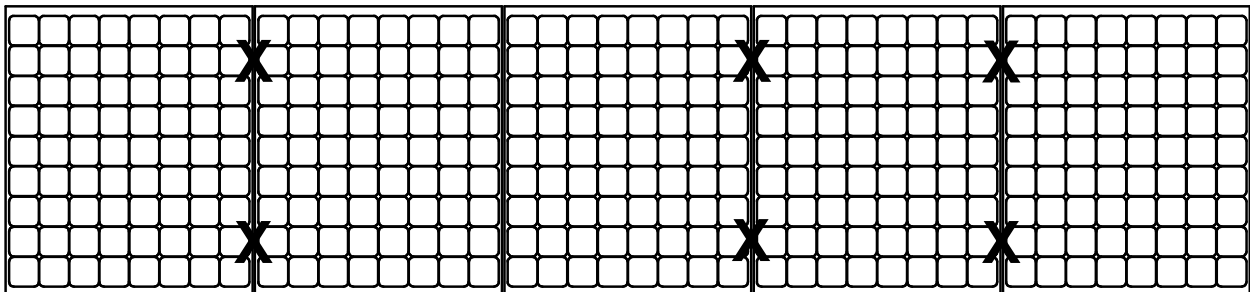


X DENOTES PLACES TO INSTALL WEEB-DPF or WEEB-DPR

COLUMN X ROW = C X R = 4 X 1 = 4

WEEB-DPF or WEEB-DPR NEEDED = 4

## ODD NUMBER OF MODULES IN ROW



X DENOTES PLACES TO INSTALL WEEB-DPF or WEEB-DPR

[ COLUMN + 1 ] X ROW = [ C + 1 ] X R = [ 5 + 1 ] X 1 = 6

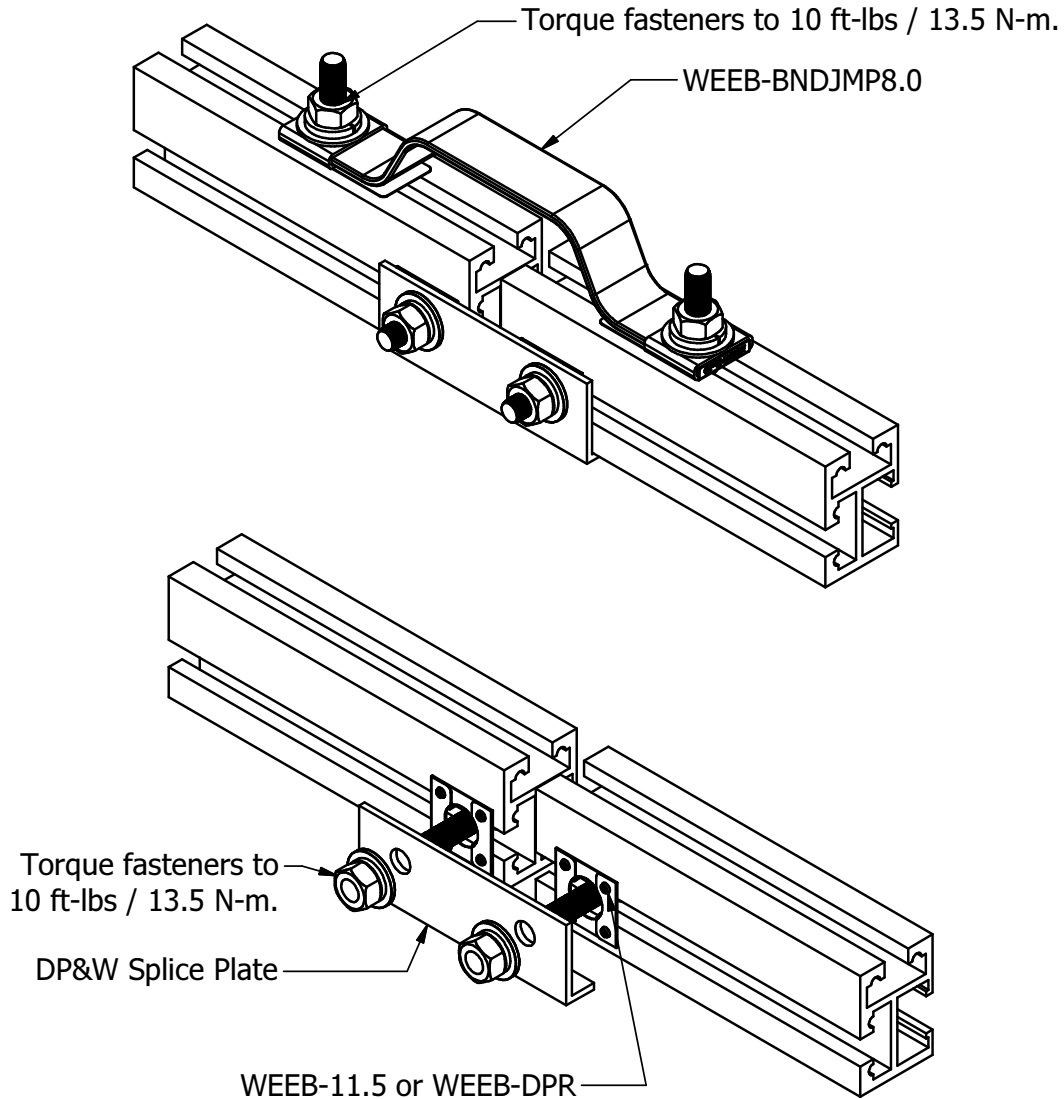
WEEB-DPF or WEEB-DPR NEEDED = 6

### Note:

When replacing a single faulty module, also remove the adjacent module which contacts the same WEEB® washers as the faulty module. This will ensure that there are never ungrounded modules in the array.

# SPLICE KIT ASSEMBLY

**WEEB-BNDJMP8.0 can be used for all rail splices including expansion joints.  
Floating or Fixed Joints**



The DPW Solar splice plate should only be used for solid splice joints.

For floating joints a splice plate may be used for alignment but a bonding jumper is required for proper WEEB® washer bonding.

**Customer Service Department**  
7 Aviation Park Drive  
Londonderry, NH 03053  
1-800-346-4175  
1-603-647-5299 (International)