



Washer, Electrical Equipment Bond

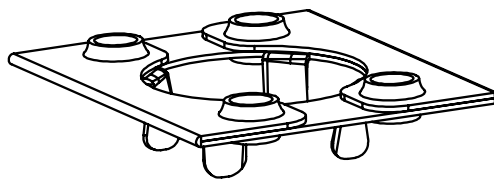
## WEEB<sup>®</sup> WASHER

### INSTALLATION INSTRUCTIONS

*For AllEarth Rail System only*

Please read carefully before installing.

Burndy LLC recommends that the sufficient details of the installation be submitted to the AHJ for approval before any work is started.



**WEEB-9.5**



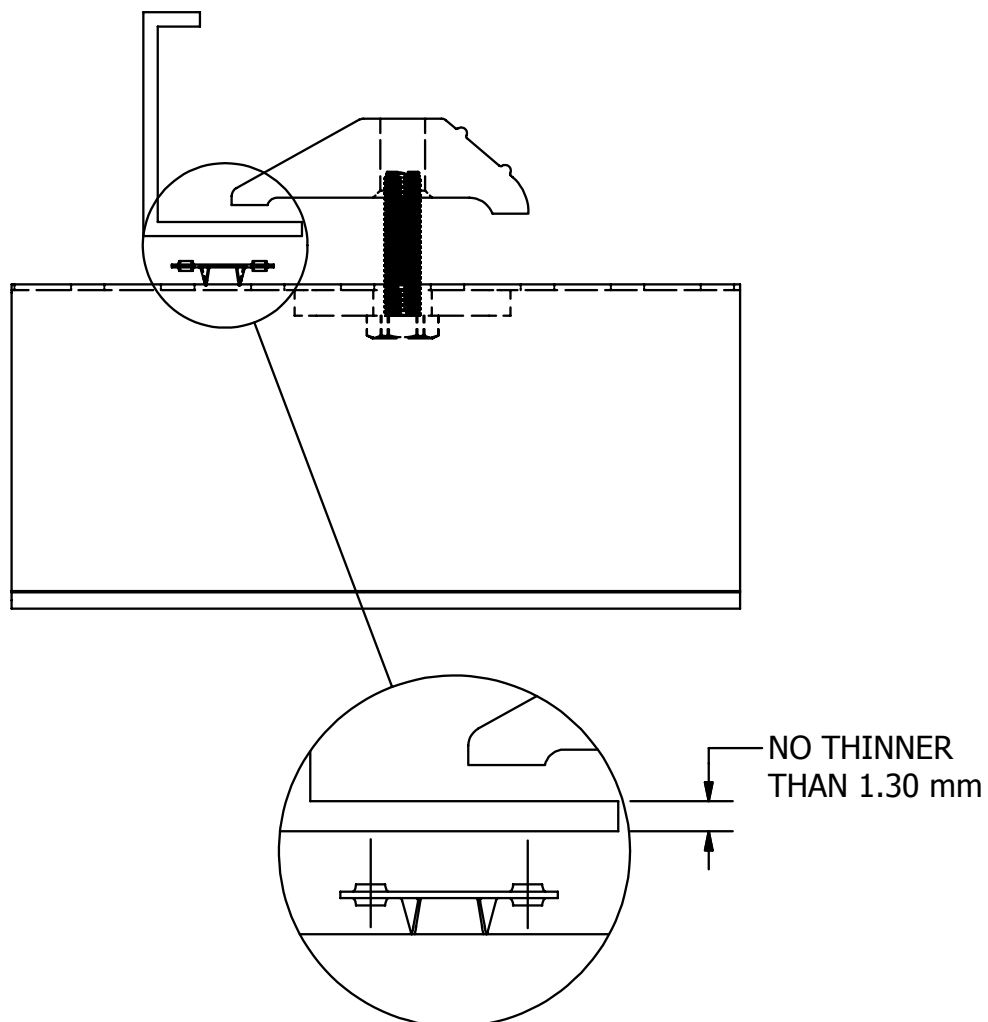
System is tested to UL 2703 for Grounding and Bonding.  
Products are ANSI/UL 467 Listed and CSA C22.2 No. 41 for Grounding and Bonding Equipment.



# WEEB® WASHER COMPATIBILITY

The WEEB® washer family of products can be used to bond anodized aluminum, galvanized steel, steel and other electrically conductive metal structures. All installations shall be in accordance with NEC requirements in the USA and with CSA C22.1 in Canada. The WEEB® washers are for use with modules that have a maximum fuse rating of 25A or less.

Certain module frames do not have enough structural strength to withstand the force required to embed a WEEB® washer. These frames will deform and therefore not allow sufficient penetration of the WEEB® washer teeth. The general requirements for minimum module frame thickness of boxed type module frames are illustrated below. For more information regarding module compatibility, please see the technical documents section of our website.



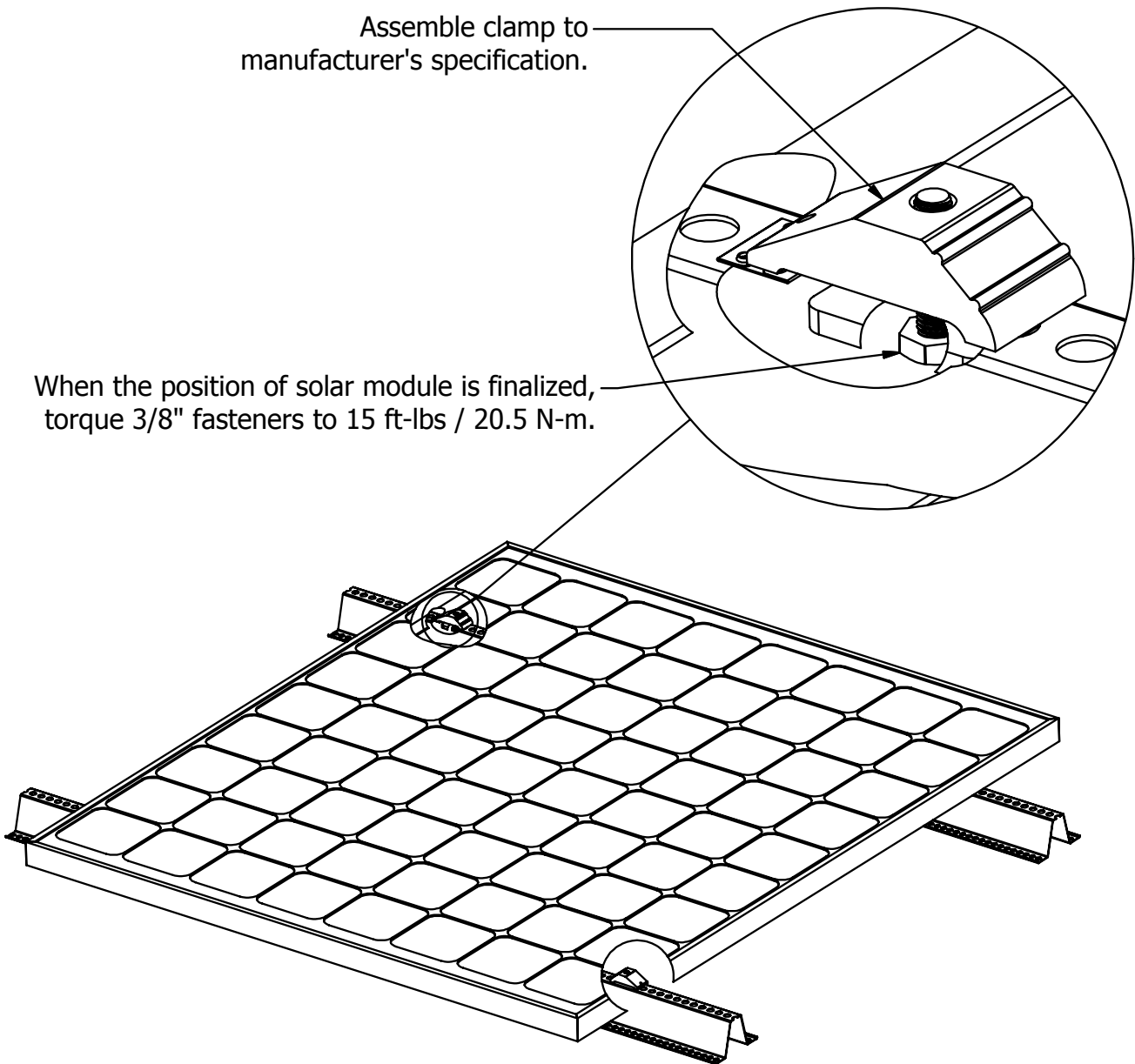
## Note:

Inspect each module frame used with a WEEB® device to ensure that the bottom mounting face of the frame is flat, and that there are no hindrances to embedding WEEB® washer teeth. Do not use a module with a frame that prevents the WEEB® washer teeth from embedding fully.

# SYSTEM OVERVIEW

Assemble clamp to manufacturer's specification.

When the position of solar module is finalized, torque 3/8" fasteners to 15 ft-lbs / 20.5 N-m.



## Important notes:

1. Install one (1) WEEB-9.5 per module. The WEEB-9.5 has been approved for use with both the standard AllEarth clamp and the AllEarth Bonding Clamp.
2. The NEC section 690.43 states "Exposed non-current carrying metal parts of module frames, equipment, and conductor enclosures shall be grounded in accordance with 250.134 or 250.136(A) regardless of voltage".
3. OPTIONAL: Secure PV cables and reliably route cables using Wiley ACC cable clips or Wiley Bundle Straps for proper wire management.