



Washer, Electrical Equipment Bond

# WEEB® WASHER

## INSTALLATION INSTRUCTIONS

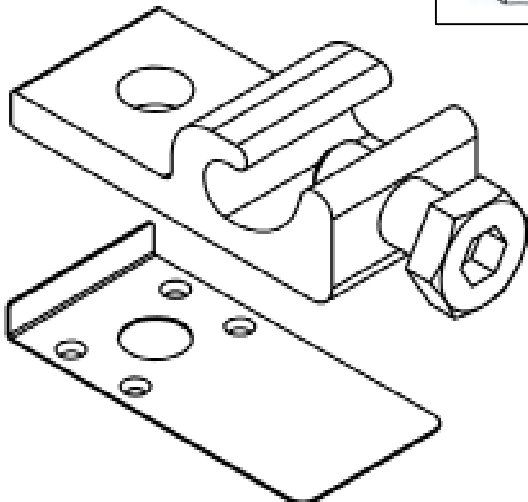
*For Daetwyler Clean Energy*

*Modu-rack Mounting System only*

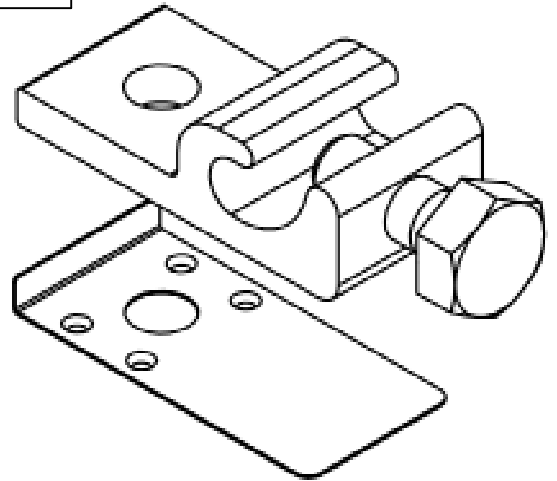
Please read carefully before installing.

Burndy LLC recommends that the sufficient details of the installation be submitted to the AHJ for approval before any work is started.

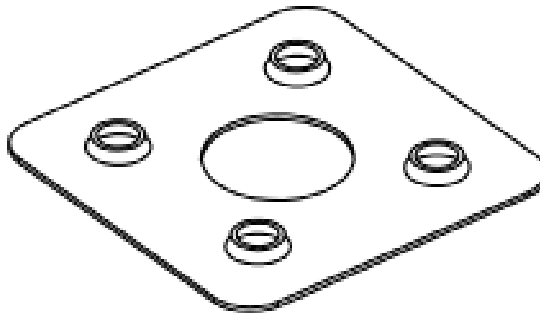
<b>NOTICE</b>	
	PLEASE READ CAREFULLY BEFORE INSTALLING



WEEB-LUG-6.7HS



WEEB-LUG-6.7



WEEB-UIR

Products are tested to UL 467, CAN/CSA-C22.2 No. 41  
US/ Canadian standards for safety grounding and bonding equipment.

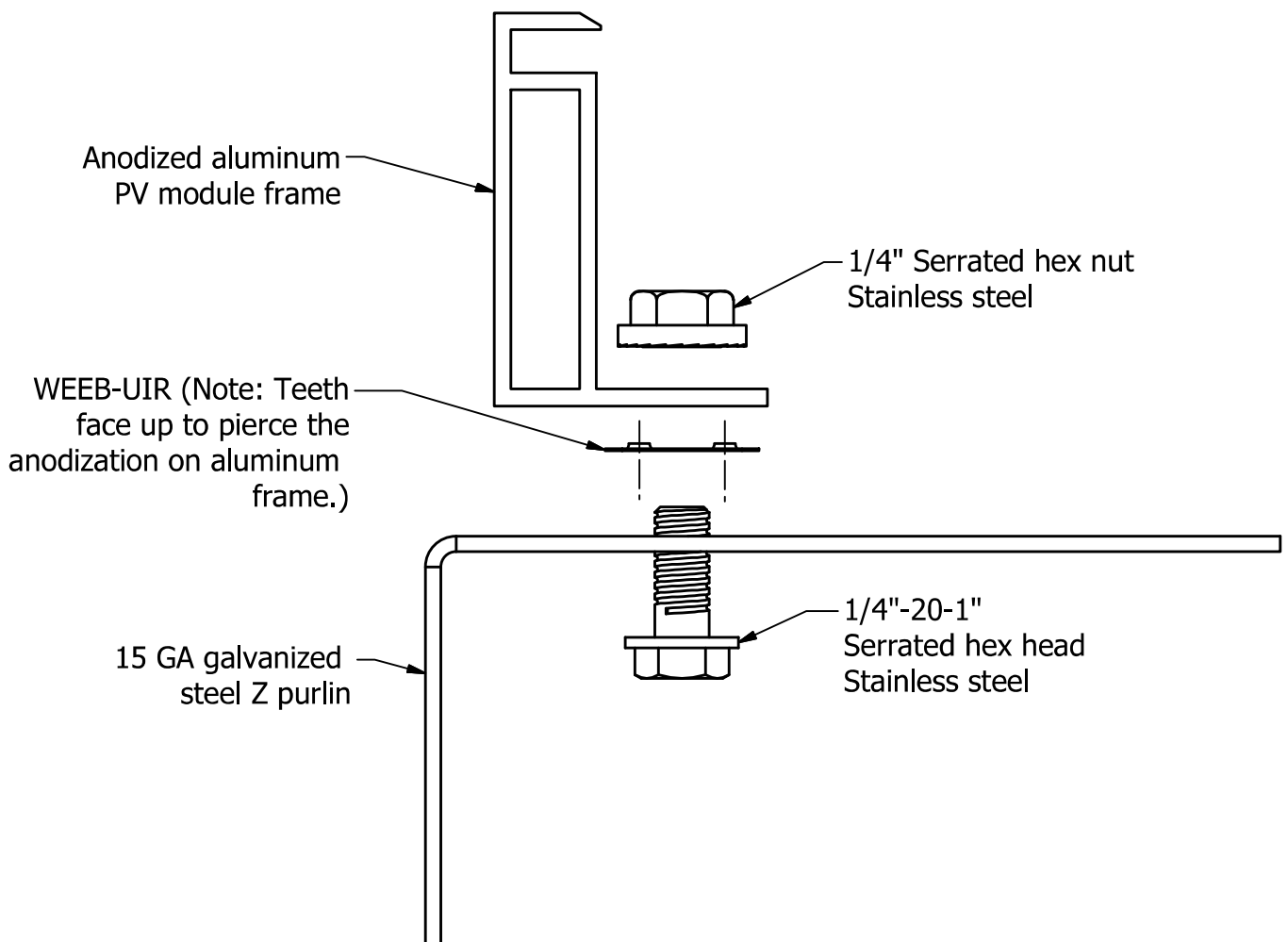


# WEEB<sup>®</sup> WASHER COMPATIBILITY

The WEEB<sup>®</sup> washer family of products can be used to bond anodized aluminum, galvanized steel, steel and other electrically conductive metal structures. All installations shall be in accordance with NEC requirements in the USA and with CSA C22.1 in Canada. The WEEB<sup>®</sup> washers are for use with modules that have a maximum fuse rating of 25A or less.

## Bottom Mounting Modules

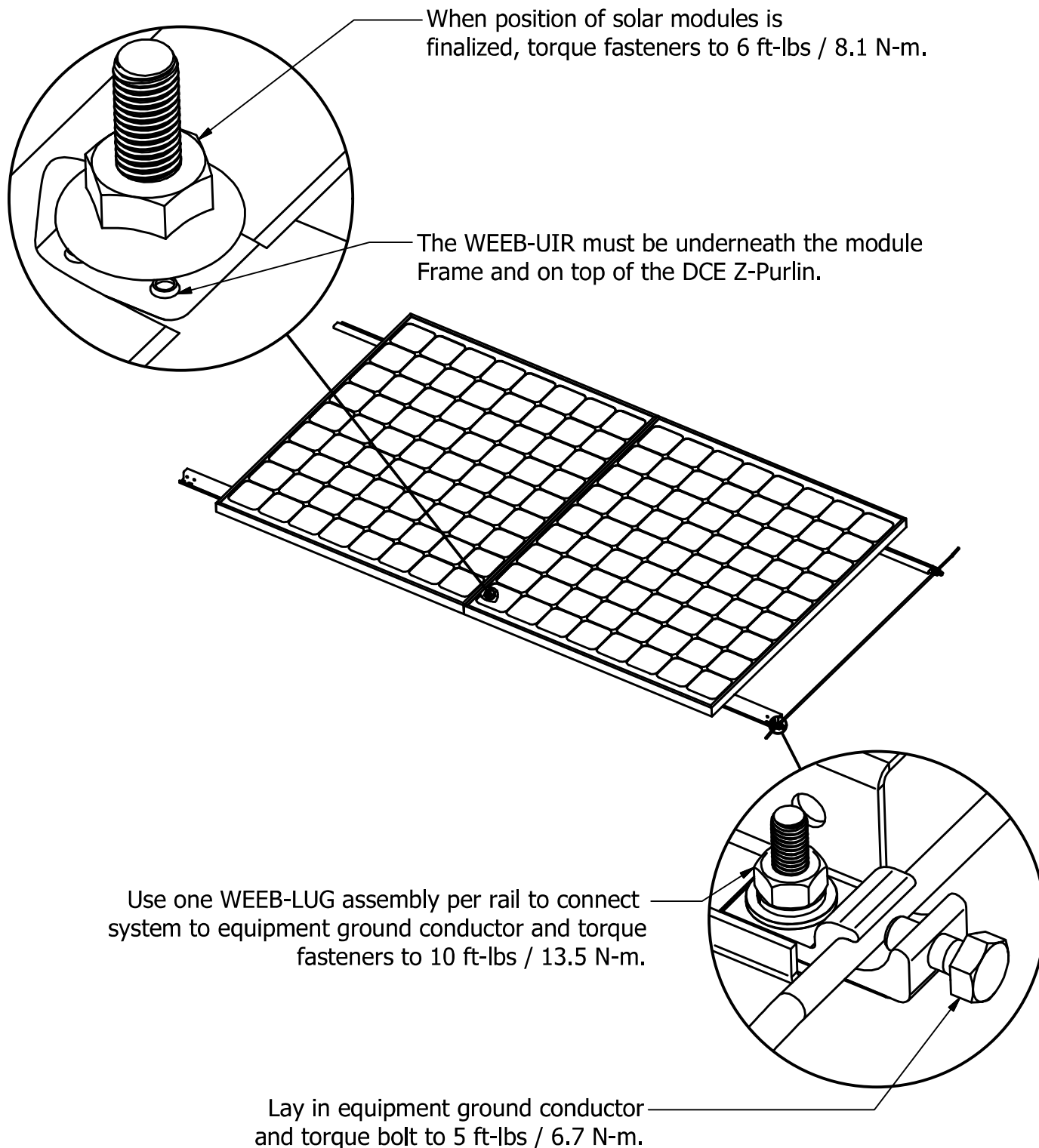
The WEEB<sup>®</sup> washers used for bonding the PV modules to the mounting rails are compatible with various cross-sections of module frames. The following is an example of a module frame that is compatible. Notice that the WEEB<sup>®</sup> washer teeth are positioned completely under the edge of the module frame.



## Note:

**Inspect each module frame used with a WEEB<sup>®</sup> device to ensure that the bottom mounting face of the frame is flat, and that there are no hindrances to embedding WEEB<sup>®</sup> washer teeth. Do not use a module with a frame that prevents the WEEB<sup>®</sup> washer teeth from embedding fully.**

# SYSTEM OVERVIEW

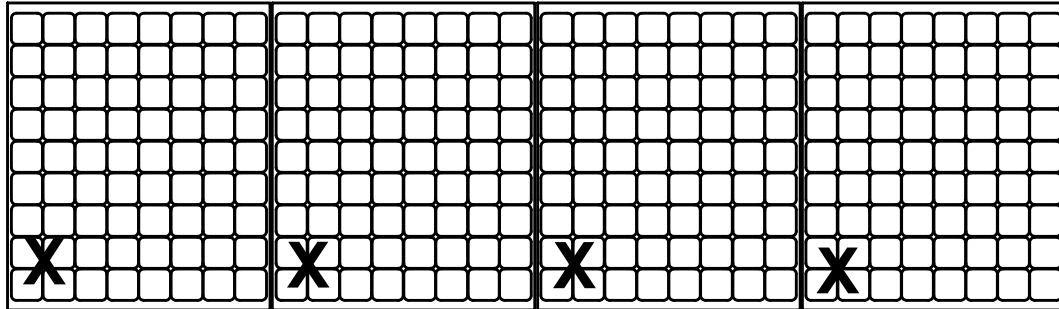


## Important notes:

1. Anti-seize or Burndy PENETROX-A is not required on mounting hardware.
2. Secure PV cables and reliably route cables using Wiley ACC cable clips for proper wire management.
3. The NEC section 690.43 states "Exposed non-current carrying metal parts of module frames, equipment, and conductor enclosures shall be grounded in accordance with 250.134 or 250.136(A) regardless of voltage".

# WEEB<sup>®</sup> WASHER LAYOUT

## EVEN NUMBER OF MODULES IN ROW

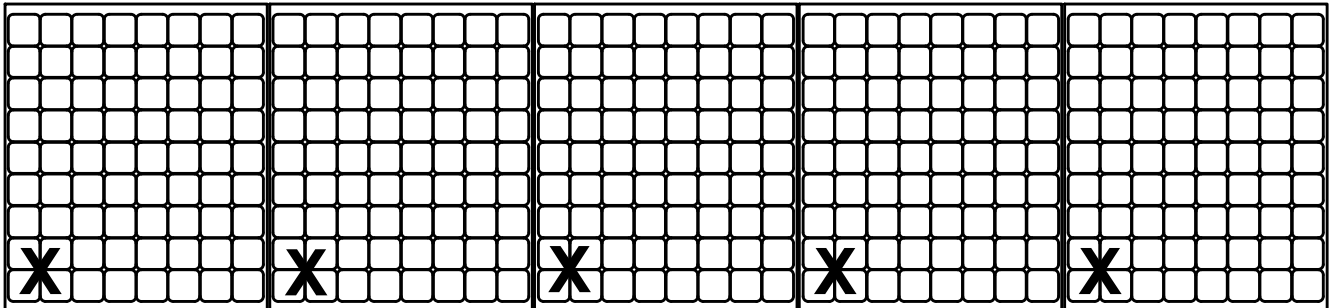


X DENOTES PLACES TO INSTALL WEEB-UIR

COLUMN X ROW = C X R = 4 X 1 = 4

WEEB-UIR NEEDED = 4

## ODD NUMBER OF MODULES IN ROW



X DENOTES PLACES TO INSTALL WEEB-UIR

COLUMN X ROW = C X R = 5 X 1 = 5

WEEB-UIR NEEDED = 5

**Customer Service Department**  
7 Aviation Park Drive  
Londonderry, NH 03053  
1-800-346-4175  
1-603-647-5299 (International)