

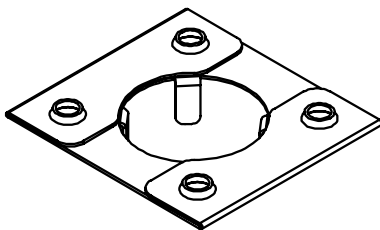


Washer, Electrical Equipment Bond

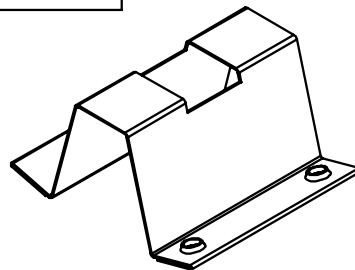
WEEB[®] WASHER

INSTALLATION INSTRUCTIONS *For DP&W P6/CRS Hybrid System Only*

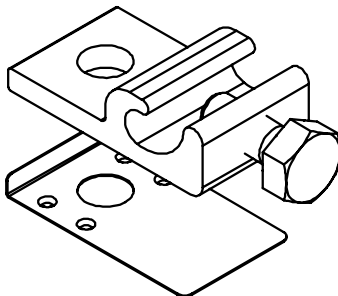
Burndy LLC recommends that the sufficient details of the installation be submitted to the AHJ for approval before any work is started.



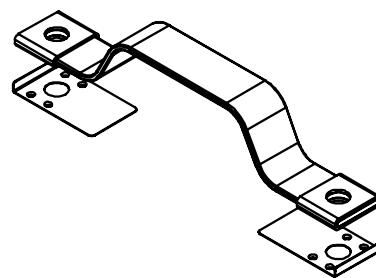
WEEB-11.5



WEEB-DHF



WEEB-LUG-8.0



WEEB-BNDJMP8.0



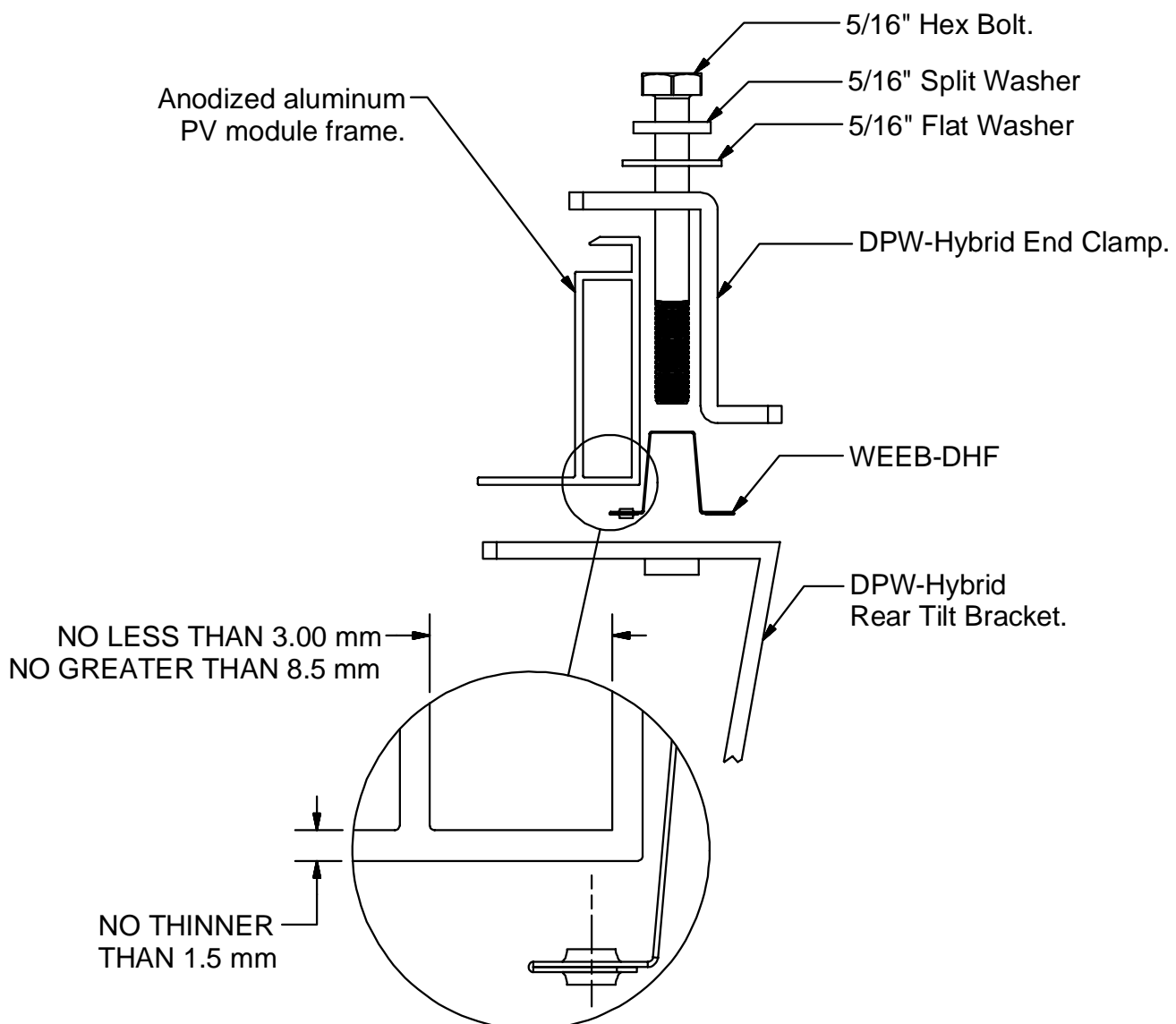
Products are tested to UL 467, CAN/CSA-C22.2 No. 41
US/ Canadian standards for safety grounding and bonding equipment.



WEEB-DHF COMPATIBILITY

The WEEB® washer family of products can be used to bond anodized aluminum, galvanized steel, steel and other electrically conductive metal structures. All installations shall be in accordance with NEC requirements in the USA and with CSA C22.1 in Canada. The WEEB® washers are for use with modules that have a maximum fuse rating of less than 25A.

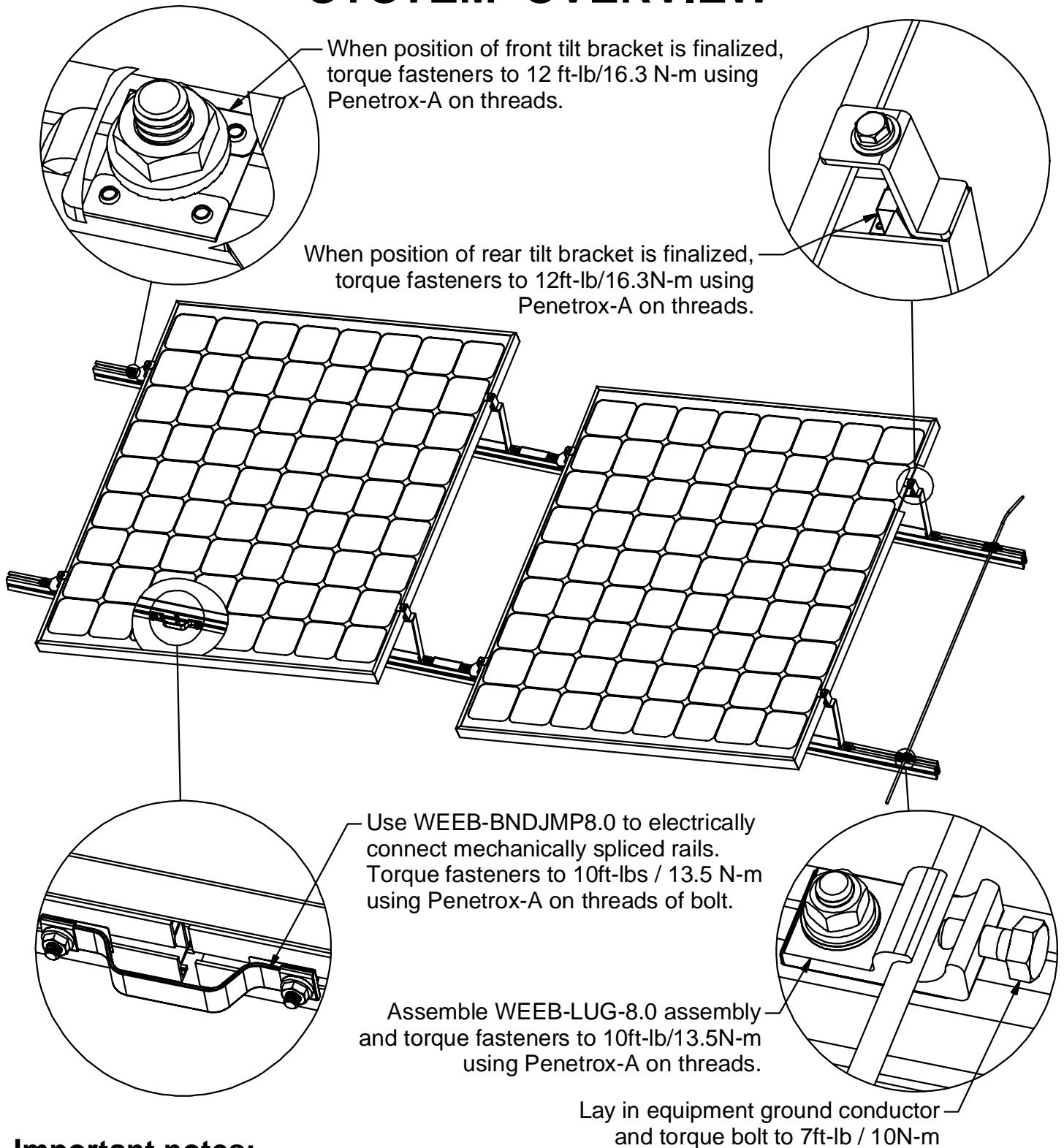
Certain module frames do not have enough structural strength to withstand the force required to embed a WEEB® washer. These frames will deform and therefore not allow sufficient penetration of the WEEB® washer teeth. The general requirements for minimum module frame thickness of "boxed" type module frames are illustrated below. For more information regarding module compatibility, please see the technical documents section of our website.



Note:

Inspect each module frame used with a WEEB® device to ensure that the bottom mounting face of the frame is flat, and that there are no hindrances to embedding WEEB® washer teeth. Do not use a module with a frame that prevents the WEEB® washer teeth from embedding fully.

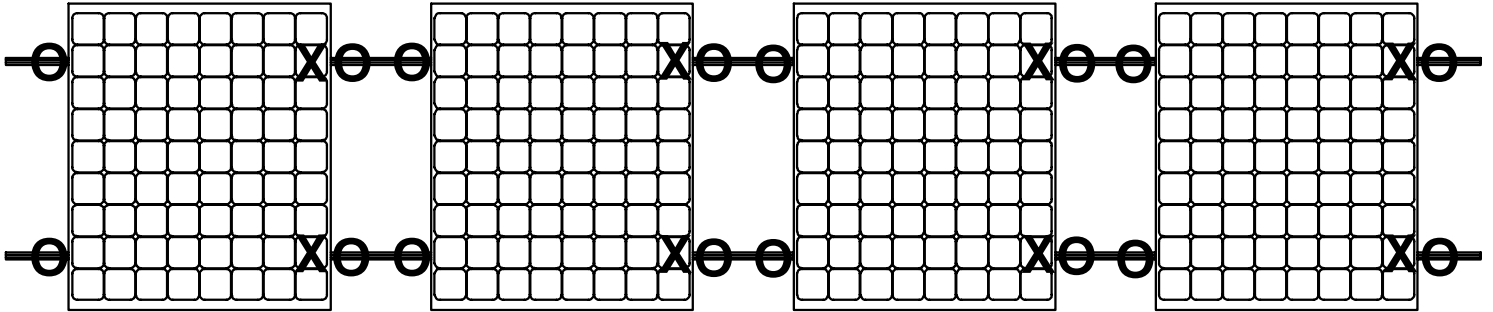
SYSTEM OVERVIEW



Important notes:

1. These installation instructions are identical for both landscape and portrait oriented PV modules. Refer to module's installation instructions for clamping recommendations.
2. Use general purpose anti-seize compound on fastener threads when installing WEEB® washers.
3. The NEC section 690.43 states "Exposed non-current carrying metal parts of module frames, equipment, and conductor enclosures shall be grounded in accordance with 250.134 or 250.136(A) regardless of voltage".

WEEB-DHF & WEEB-11.5 LAYOUT



X DENOTES PLACES TO INSTALL WEEB-DHF

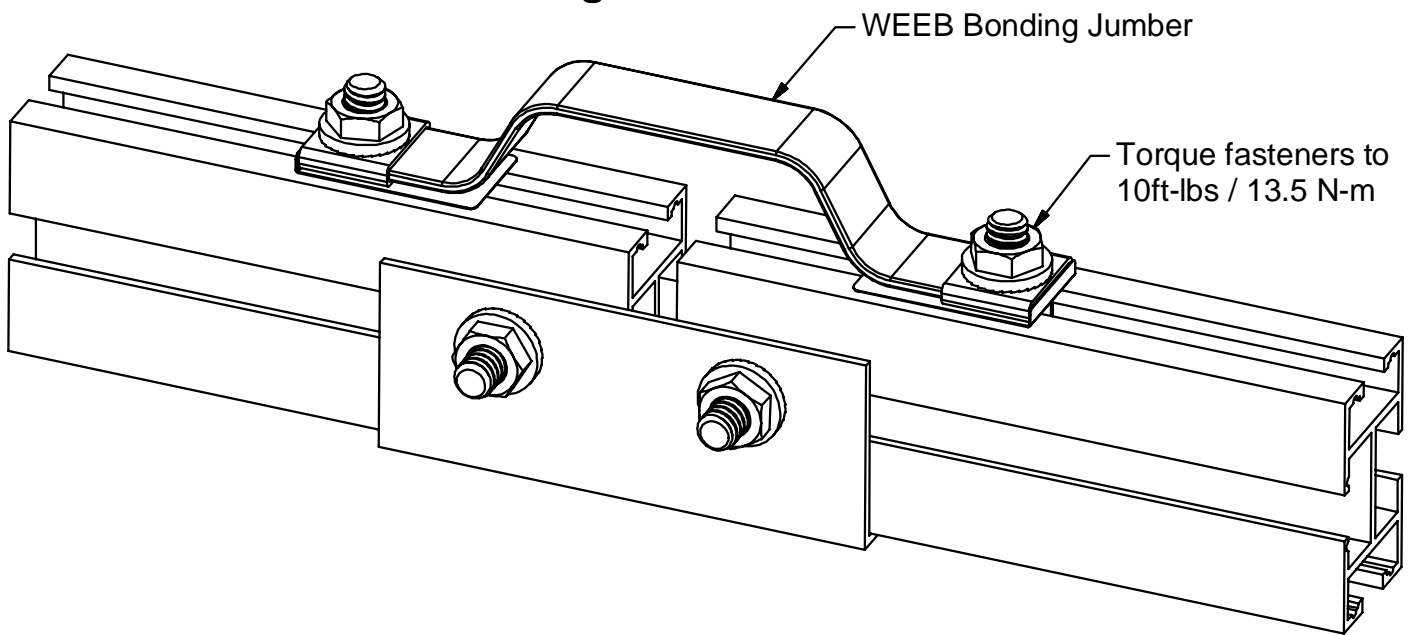
O DENOTES PLACES TO INSTALL WEEB-11.5

WEEB-DHF NEEDED = NUMBER OF MODULES X 2 = 8

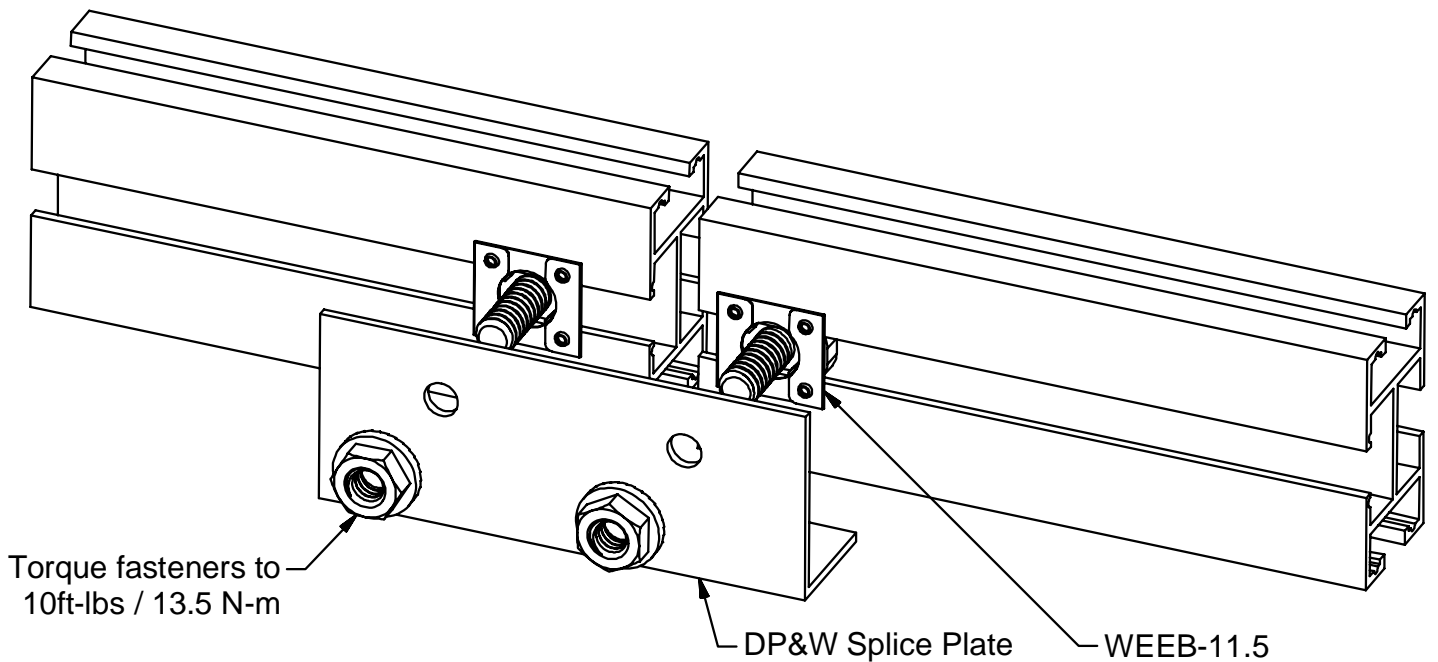
WEEB-11.5 NEEDED = NUMBER OF MODULE TILT BRACKETS X 1 = 16

SPLICE KIT ASSEMBLY

Floating or Fixed Joints



WEEB Bonding Jumper can be used for all rail splices including expansion joints.



The DP&W splice plate should only be used for solid splice joints. For floating joints a splice plate may be used for alignment but a bonding jumper is required for proper WEEB® washer bonding.

Customer Service Department

7 Aviation Park Drive

Londonderry, NH 03053

1-800-346-4175

1-603-647-5299 (International)