



# Washer, Electrical Equipment Bond

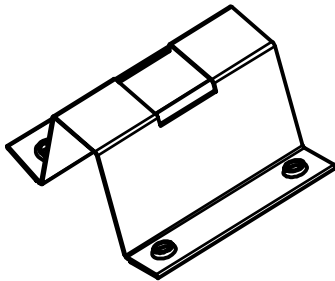
## WEEB® WASHER

### INSTALLATION INSTRUCTIONS

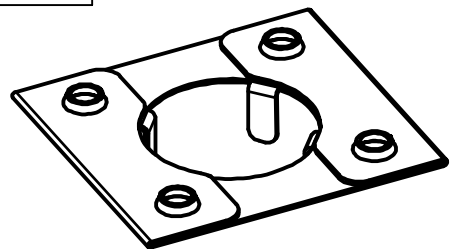
#### *For Schuff Steel OPTIRACK System only*

Burndy LLC recommends that the sufficient details of the installation be submitted to the AHJ for approval before any work is started.

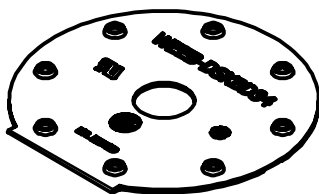
<b>NOTICE</b>	
	<p>PLEASE READ CAREFULLY BEFORE INSTALLING</p>



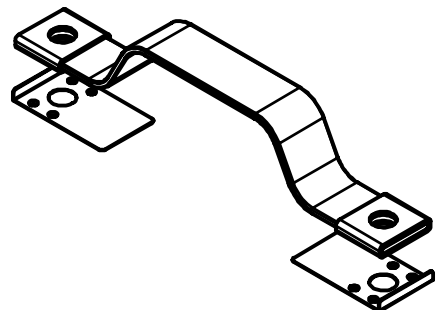
WEEB-DPF



WEEB-11.5



WEEB-DSKBD34



WEEB-BNDJMP8.0



Products are tested to UL 467, CAN/CSA-C22.2 No. 41  
US/Canadian standards for safety grounding and bonding equipment.



Intertek  
4004188

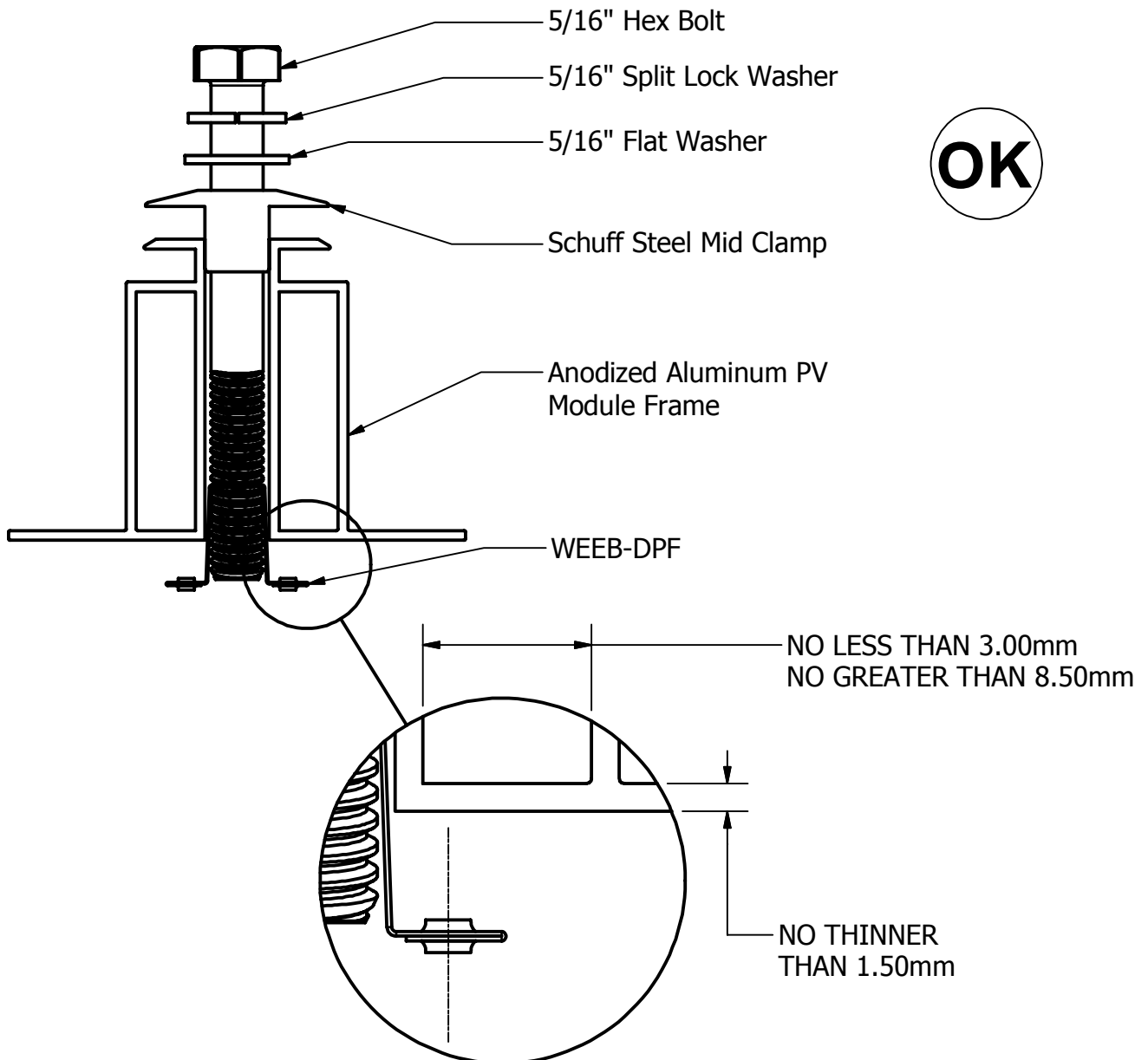
# WEEB-DPF COMPATIBILITY

## 5/16" HARDWARE

The WEEB® washer family of products can be used to bond anodized aluminum, galvanized steel, steel and other electrically conductive metal structures. All installations shall be in accordance with NEC requirements in the USA and with CSA C22.1 in Canada. The WEEB® washers are for use with modules that have a maximum series fuse rating of less than 25A.

### WEEB-DPF on Boxed Module Frames

Certain module frames do not have enough structural strength to withstand the force required to embed a WEEB® washer. These frames will deform and therefore not allow sufficient penetration of the WEEB® washer teeth. The general requirements for minimum module frame thickness of "boxed" type module frames are illustrated below.



### Note:

Inspect each module frame used with a WEEB® device to ensure that the bottom mounting face of the frame is flat, and that there are no hindrances to embedding WEEB® washer teeth. Do not use a module with a frame that prevents the WEEB® washer teeth from embedding fully.

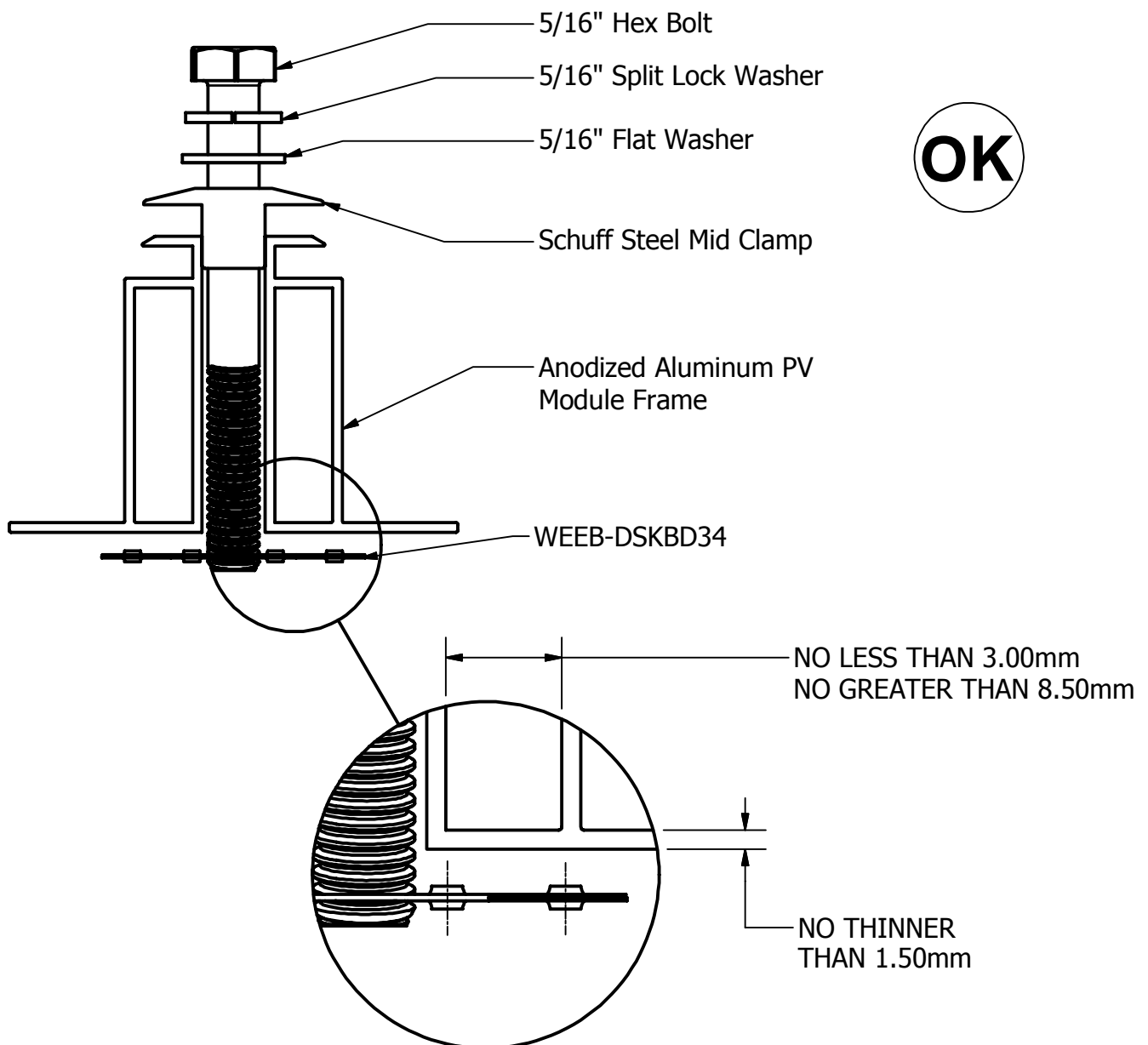
# WEEB-DSKBD34 COMPATIBILITY

## 5/16" HARDWARE

The WEEB® washer family of products can be used to bond anodized aluminum, galvanized steel, steel and other electrically conductive metal structures. All installations shall be in accordance with NEC requirements in the USA and with CSA C22.1 in Canada. The WEEB® washers are for use with modules that have a maximum series fuse rating of less than 25A.

### WEEB-DSKBD34 on Boxed Module Frames

Certain module frames do not have enough structural strength to withstand the force required to embed a WEEB® washer. These frames will deform and therefore not allow sufficient penetration of the WEEB® washer teeth. The general requirements for minimum module frame thickness of "boxed" type module frames are illustrated below.



### Note:

Inspect each module frame used with a WEEB® device to ensure that the bottom mounting face of the frame is flat, and that there are no hindrances to embedding WEEB® washer teeth. Do not use a module with a frame that prevents the WEEB® washer teeth from embedding fully.

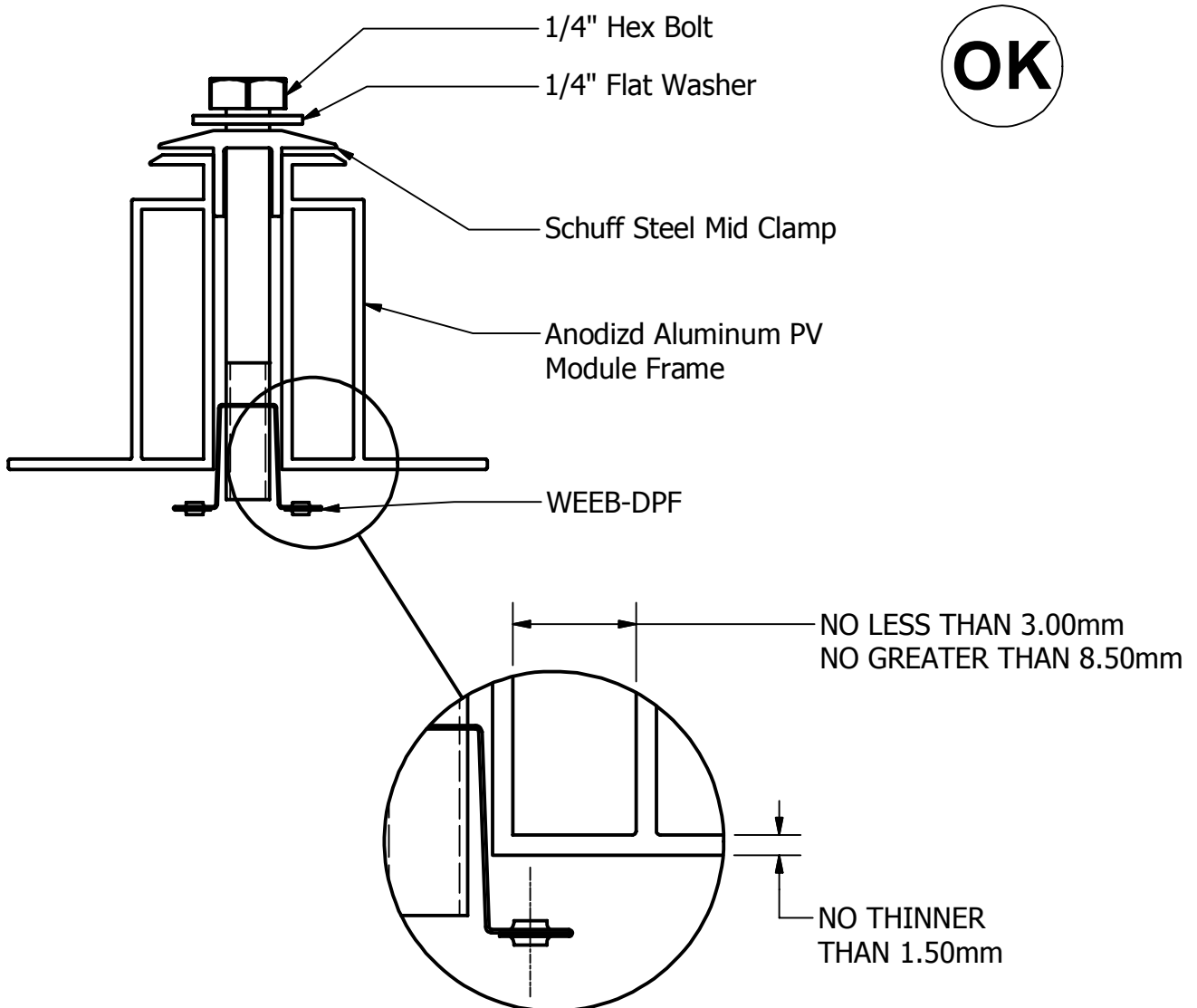
# WEEB-DPF COMPATIBILITY

## 1/4" HARDWARE

The WEEB® washer family of products can be used to bond anodized aluminum, galvanized steel, steel and other electrically conductive metal structures. All installations shall be in accordance with NEC requirements in the USA and with CSA C22.1 in Canada. The WEEB® washers are for use with modules that have a maximum series fuse rating of less than 25A.

### WEEB-DPF on Boxed Module Frames

Certain module frames do not have enough structural strength to withstand the force required to embed a WEEB® washer. These frames will deform and therefore not allow sufficient penetration of the WEEB® washer teeth. The general requirements for minimum module frame thickness of "boxed" type module frames are illustrated below.



### Note:

Inspect each module frame used with a WEEB® device to ensure that the bottom mounting face of the frame is flat, and that there are no hindrances to embedding WEEB® washer teeth. Do not use a module with a frame that prevents the WEEB® washer teeth from embedding fully.

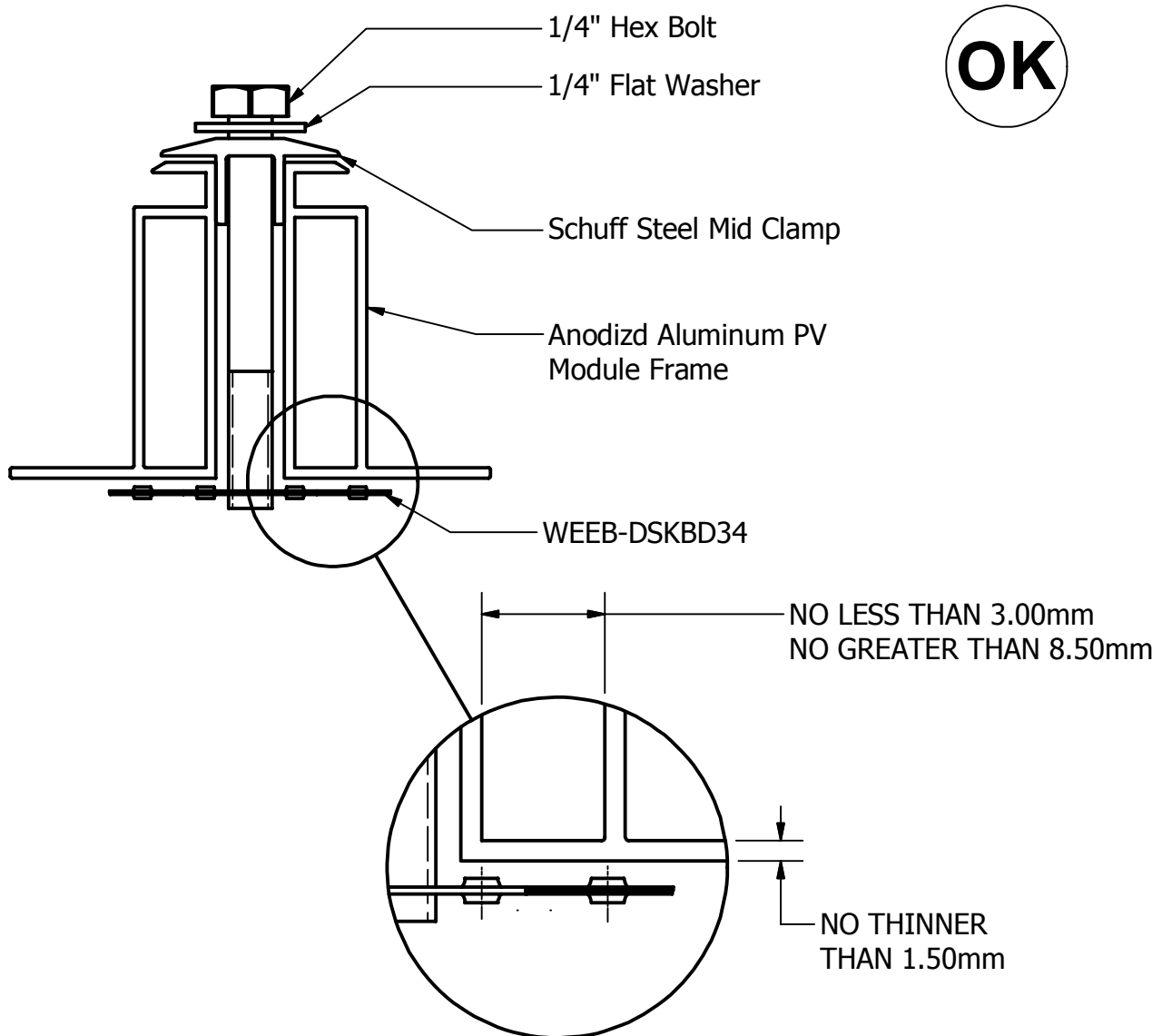
# WEEB-DSKBD34 COMPATIBILITY

## 1/4" HARDWARE

The WEEB® washer family of products can be used to bond anodized aluminum, galvanized steel, steel and other electrically conductive metal structures. All installations shall be in accordance with NEC requirements in the USA and with CSA C22.1 in Canada. The WEEB® washers are for use with modules that have a maximum series fuse rating of less than 25A.

### WEEB-DSKBD34 on Boxed Module Frames

Certain module frames do not have enough structural strength to withstand the force required to embed a WEEB® washer. These frames will deform and therefore not allow sufficient penetration of the WEEB® washer teeth. The general requirements for minimum module frame thickness of "boxed" type module frames are illustrated below.

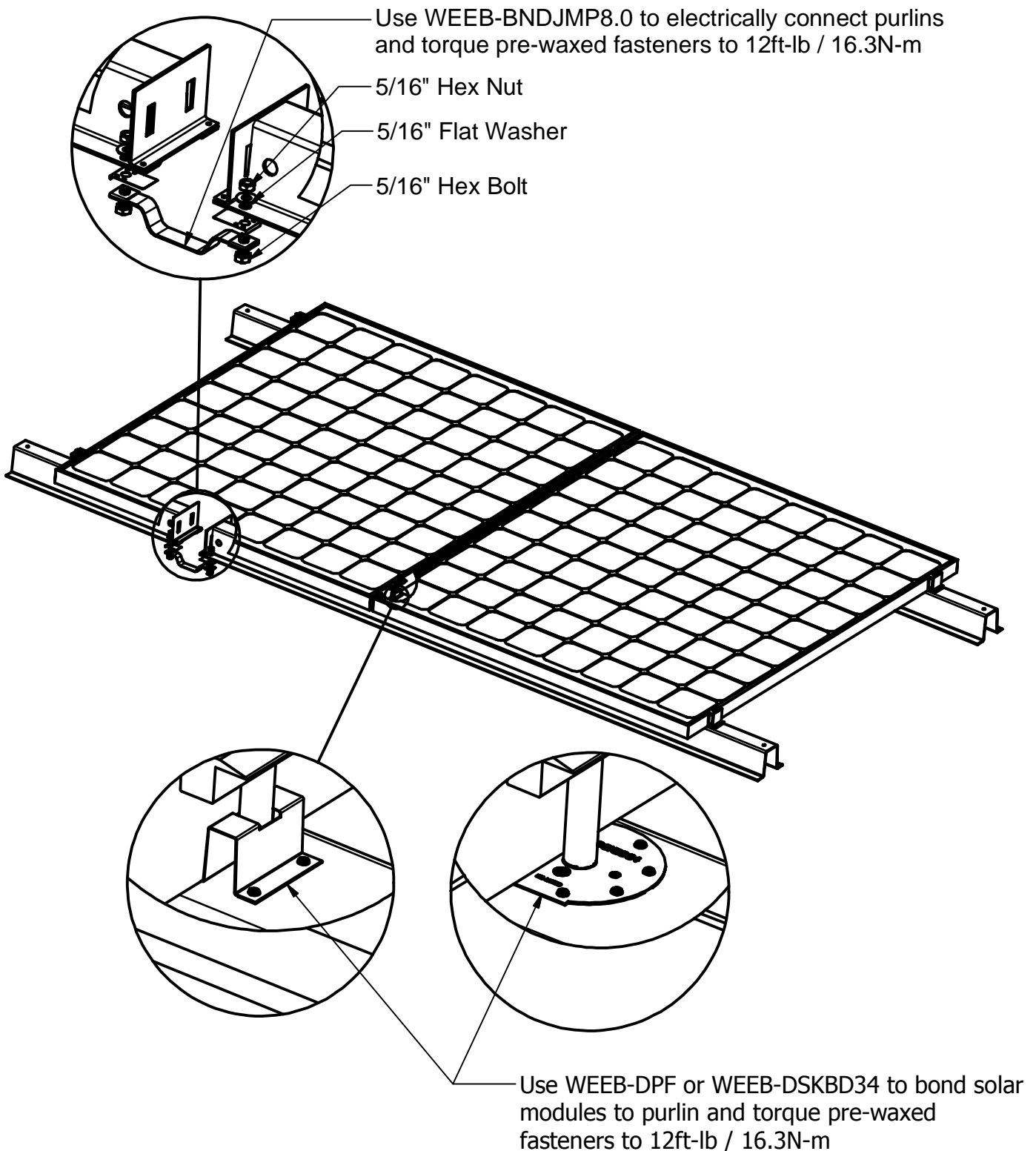


### Note:

Inspect each module frame used with a WEEB® device to ensure that the bottom mounting face of the frame is flat, and that there are no hindrances to embedding WEEB® washer teeth. Do not use a module with a frame that prevents the WEEB® washer teeth from embedding fully.

# SYSTEM OVERVIEW

## 5/16" HARDWARE

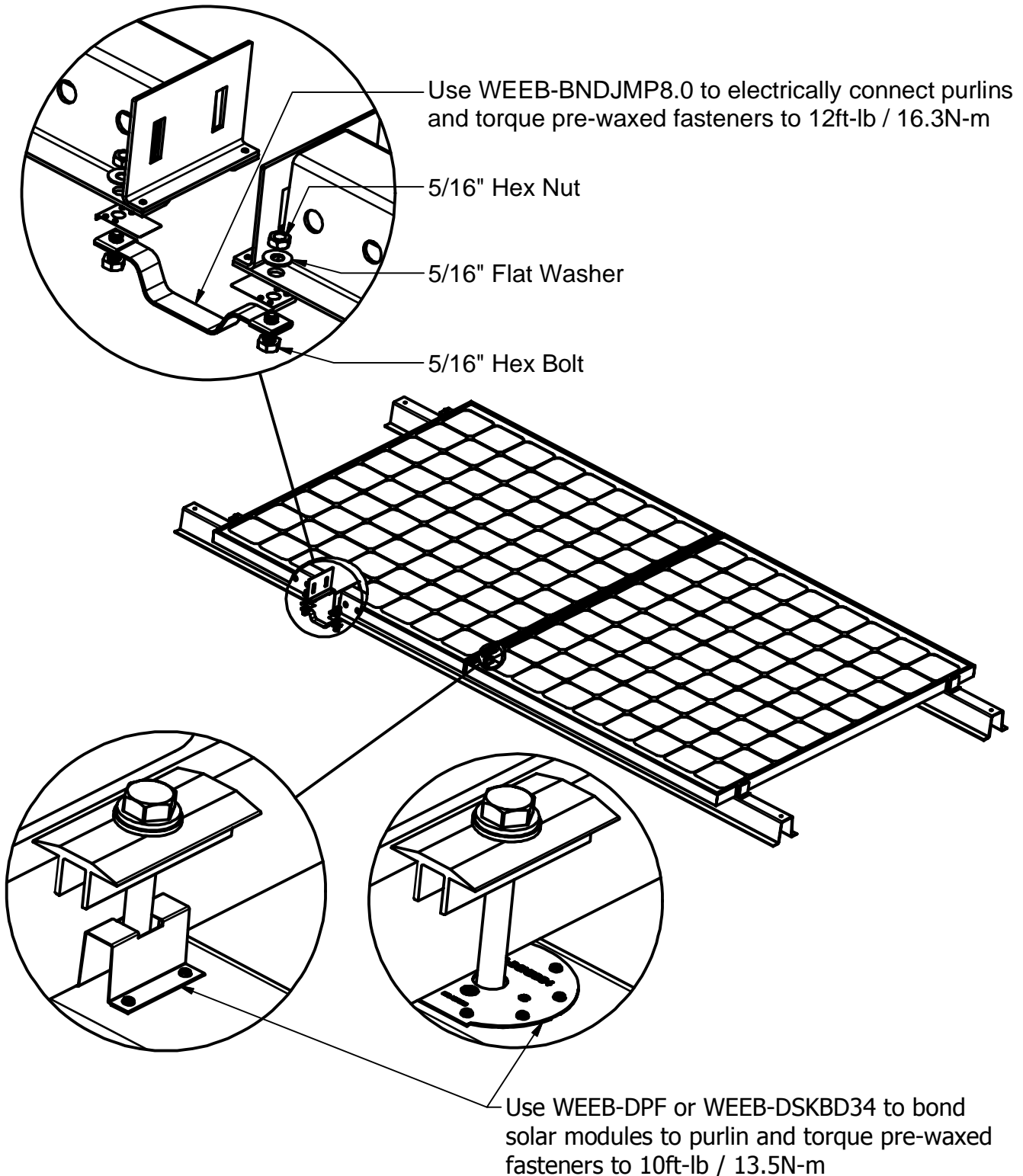


### Important notes:

1. The NEC section 690.43 states "Exposed non-current carrying metal parts of module frames, equipment, and conductor enclosures shall be grounded in accordance with 250.134 or 250.136(A) regardless of voltage".
2. Each purlin must be connected to an Equipment Grounding Conductor.

# SYSTEM OVERVIEW

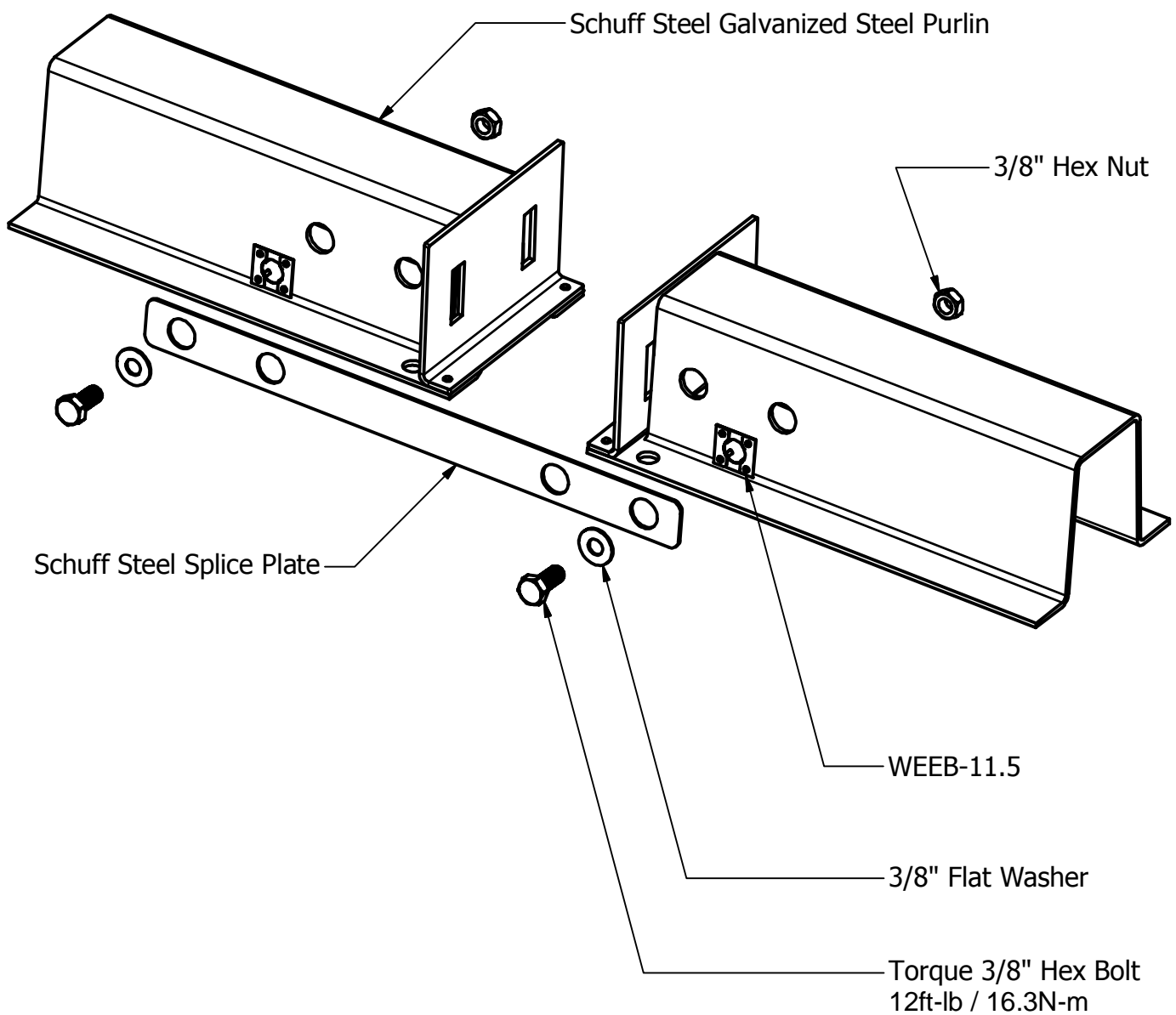
## 1/4" HARDWARE



### Important notes:

1. The NEC section 690.43 states "Exposed non-current carrying metal parts of module frames, equipment, and conductor enclosures shall be grounded in accordance with 250.134 or 250.136(A) regardless of voltage".
2. Each purlin must be connected to an Equipment Grounding Conductor.

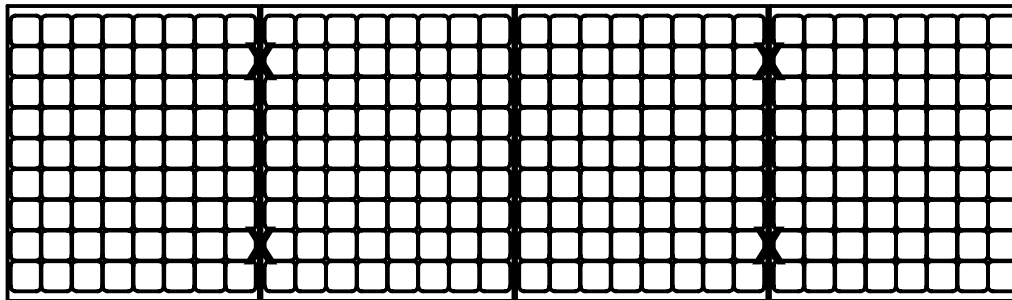
# SPLICE KIT ASSEMBLY





# WEEB® WASHER LAYOUT

## EVEN NUMBER OF MODULES IN ROW

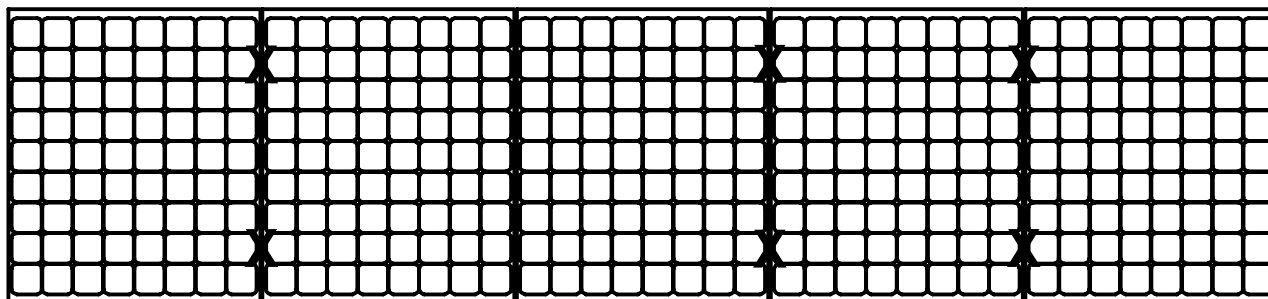


X DENOTES PLACES TO INSTALL WEEB® WASHER

$$\text{COLUMN X ROW} = C \times R = 4 \times 1 = 4$$

$$\text{WEEB® WASHER NEEDED} = 4$$

## ODD NUMBER OF MODULES IN ROW



X DENOTES PLACES TO INSTALL WEEB® WASHER

$$[\text{COLUMN}+1] \times \text{ROW} = [C + 1] \times R = [5 + 1] \times 1 = 6$$

$$\text{WEEB® WASHER NEEDED} = 6$$

### Note:

When replacing a single faulty module, also remove the adjacent module which contacts the same WEEB® washers as the faulty module. This will ensure that there are never ungrounded modules in the array.

**Customer Service Department**  
7 Aviation Park Drive  
Londonderry, NH 03053  
1-800-346-4175  
1-603-647-5299 (International)