



Washer, Electrical Equipment Bond

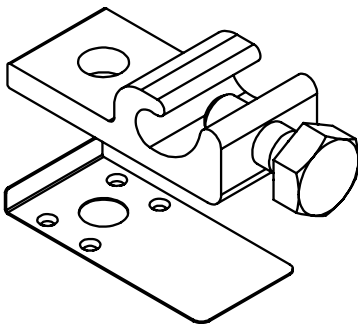
WEEB[®] WASHER

INSTALLATION INSTRUCTIONS

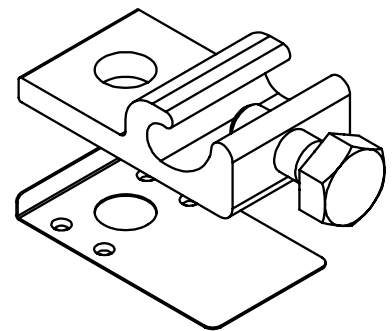
For RBI Ballasted Roof Mount System Only

Burndy LLC recommends that the sufficient details of the installation be submitted to the AHJ for approval before any work is started.

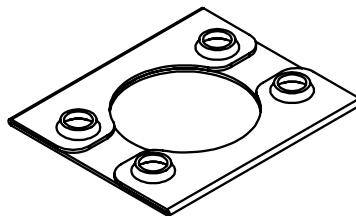
NOTICE	
	PLEASE READ CAREFULLY BEFORE INSTALLING



WEEB-LUG-6.7



WEEB-LUG-8.0



WEEB-9.5NL



Products are tested to UL 467, CAN/CSA-C22.2 No. 41 US/ Canadian standards for safety grounding and bonding equipment.



Contents:

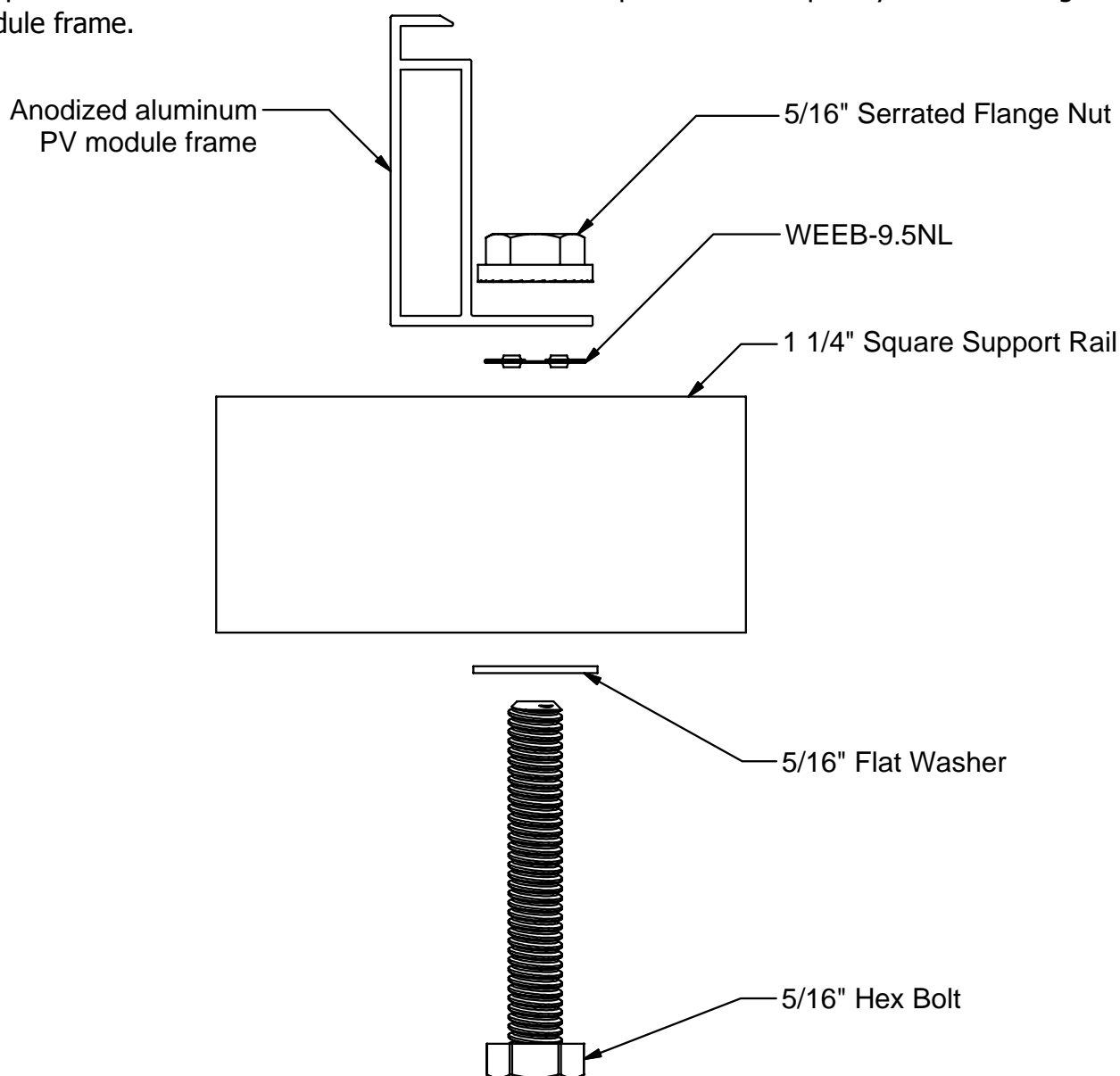
5/16" Hardware and WEEB-9.5NL.....	3-4
Layout of WEEB-9.5NL.....	5
Layout of WEEB-LUG-8.0.....	5
Alternate WEEB-LUG Location and Assembly (5/16" Hardware)....	6
1/4" Hardware and WEEB-9.5NL.....	7-8
Layout of WEEB-9.5NL.....	9
Layout of WEEB-LUG-6.7.....	9
Alternate WEEB-LUG Location and Assembly (1/4" Hardware).....	10

WEEB-9.5NL COMPATIBILITY

The WEEB® washer family of products can be used to bond anodized aluminum, galvanized steel, steel, and other electrically conductive metal structures. Metal racking components conforming to ASTM A653, A1046, and A792 standards have been evaluated and may be used in systems utilizing the WEEB® washer family of products. All installations shall be in accordance with NEC requirements in the USA and with CSA C22.1 in Canada. The WEEB® washers are for use with modules that have a maximum fuse rating of less than 25A.

Bottom Mounting Modules with 5/16" Hardware

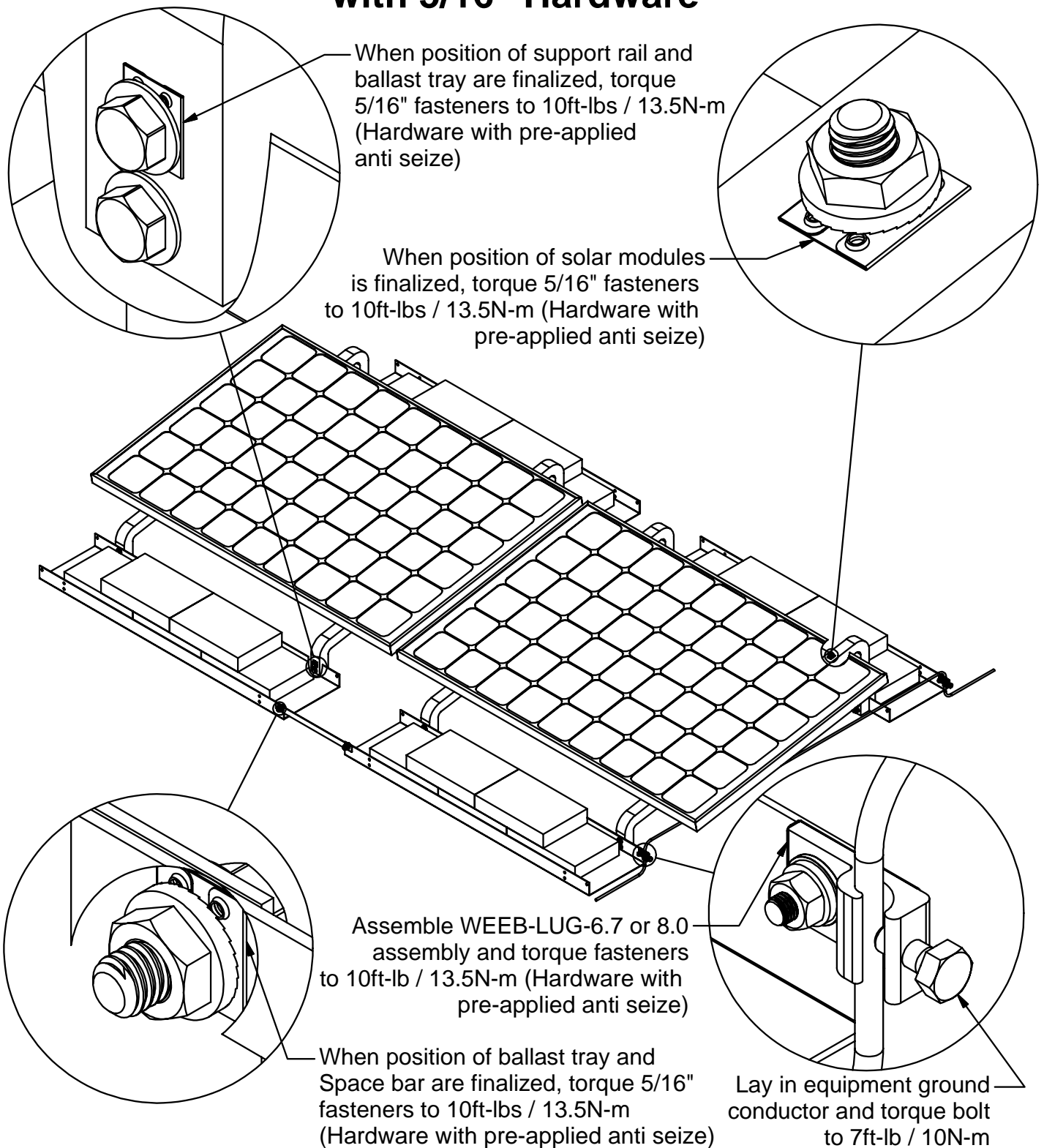
The WEEB® washers used for bonding the PV modules to the mounting rails are compatible with various cross-sections of module frames. The following is an example of a module frame that is compatible. Notice that the WEEB® washer teeth are positioned completely under the edge of the module frame.



Note:

Inspect each module frame used with a WEEB® device to ensure that the bottom mounting face of the frame is flat, and that there are no hindrances to embedding WEEB® washer teeth. Do not use a module with a frame that prevents the WEEB® washer teeth from embedding fully.

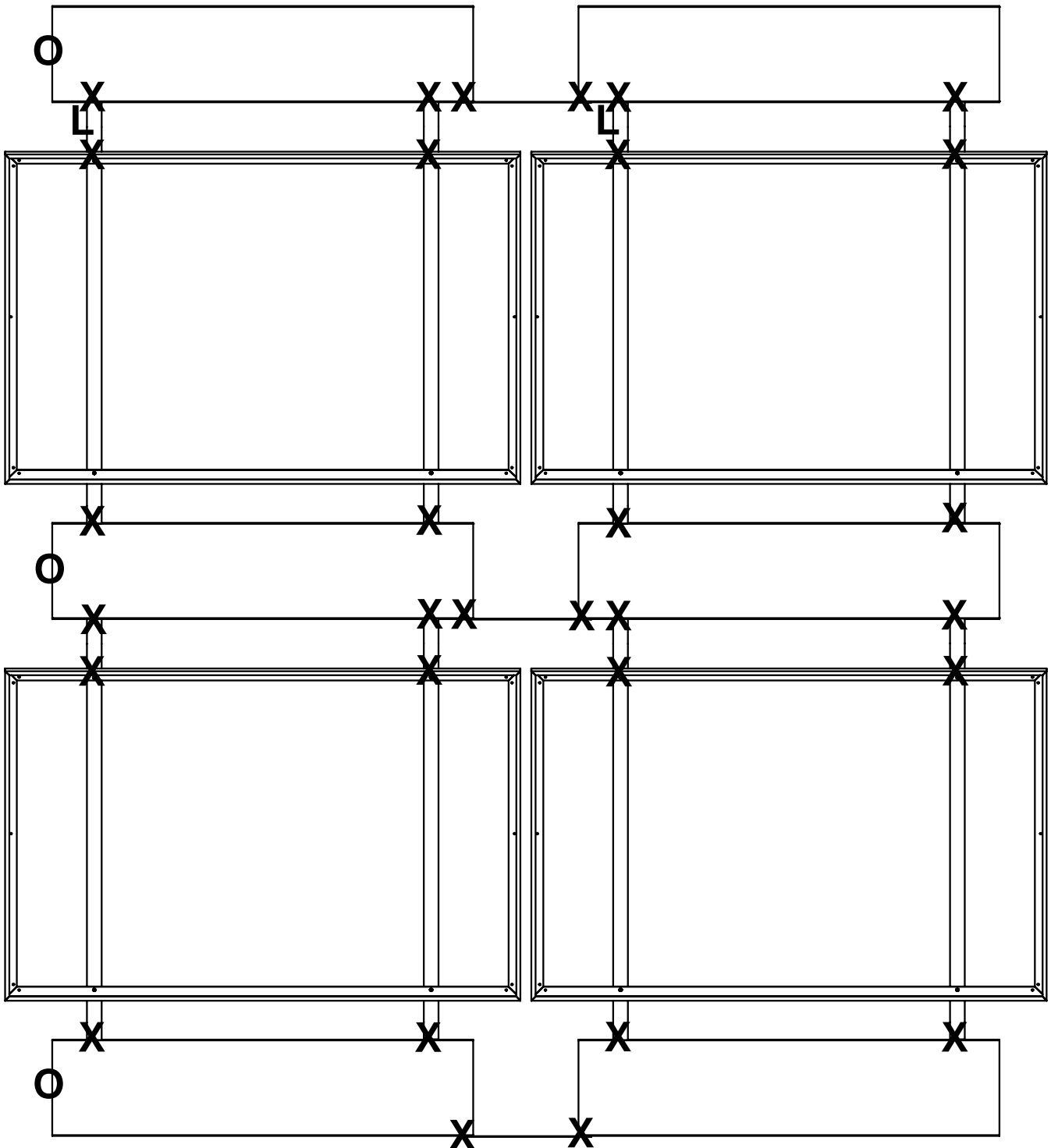
SYSTEM OVERVIEW with 5/16" Hardware



Important notes:

1. Use general purpose anti seize compound (when not already pre-applied) on fastener threads when installing WEEB® washers.
2. The NEC section 690.43 states "Exposed non-current carrying metal parts of module frames, equipment, and conductor enclosures shall be grounded in accordance with 250.134 or 250.136(A) regardless of voltage".

WEEB-9.5NL LAYOUT with 5/16" Hardware

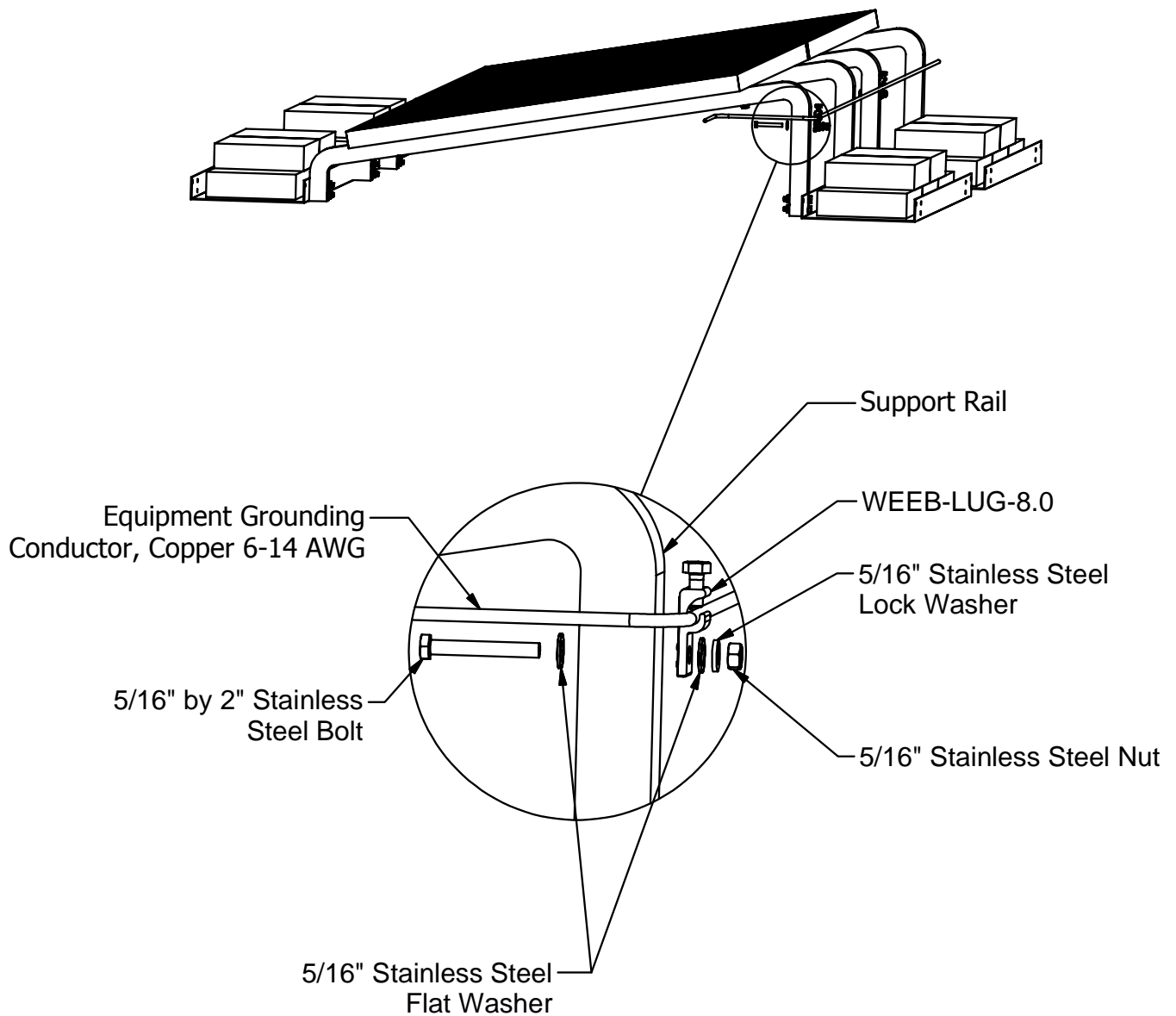


X DENOTES PLACES TO INSTALL WEEB-9.5NL

O DENOTES PLACES TO INSTALL WEEB-LUG-6.7 OR WEEB-LUG-8.0

L DENOTES PLACES TO INSTALL ALTERNATE WEEB-LUG LOCATION ON EACH COLUMN

Alternate WEEB-LUG-8.0 Location and Assembly



Important notes:

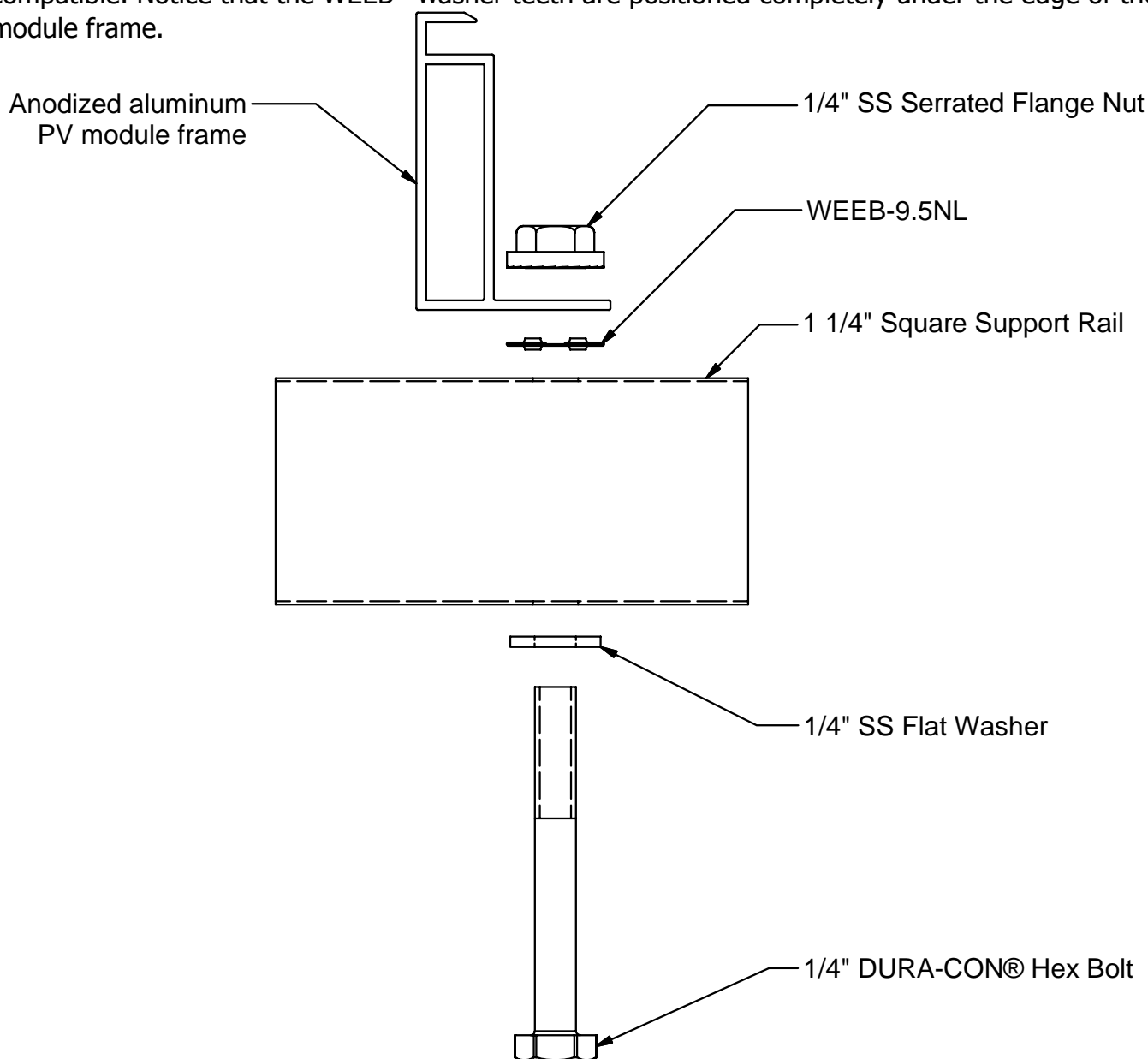
1. Use general purpose anti seize compound (when not already pre-applied) on fastener threads when installing WEEB® washers.

WEEB-9.5NL COMPATIBILITY

The WEEB® washer family of products can be used to bond anodized aluminum, galvanized steel, steel, and other electrically conductive metal structures. Metal racking components conforming to ASTM A653, A1046, and A792 standards have been evaluated and may be used in systems utilizing the WEEB® washer family of products. All installations shall be in accordance with NEC requirements in the USA and with CSA C22.1 in Canada. The WEEB® washers are for use with modules that have a maximum fuse rating of less than 25A.

Bottom Mounting Modules with 1/4" Hardware

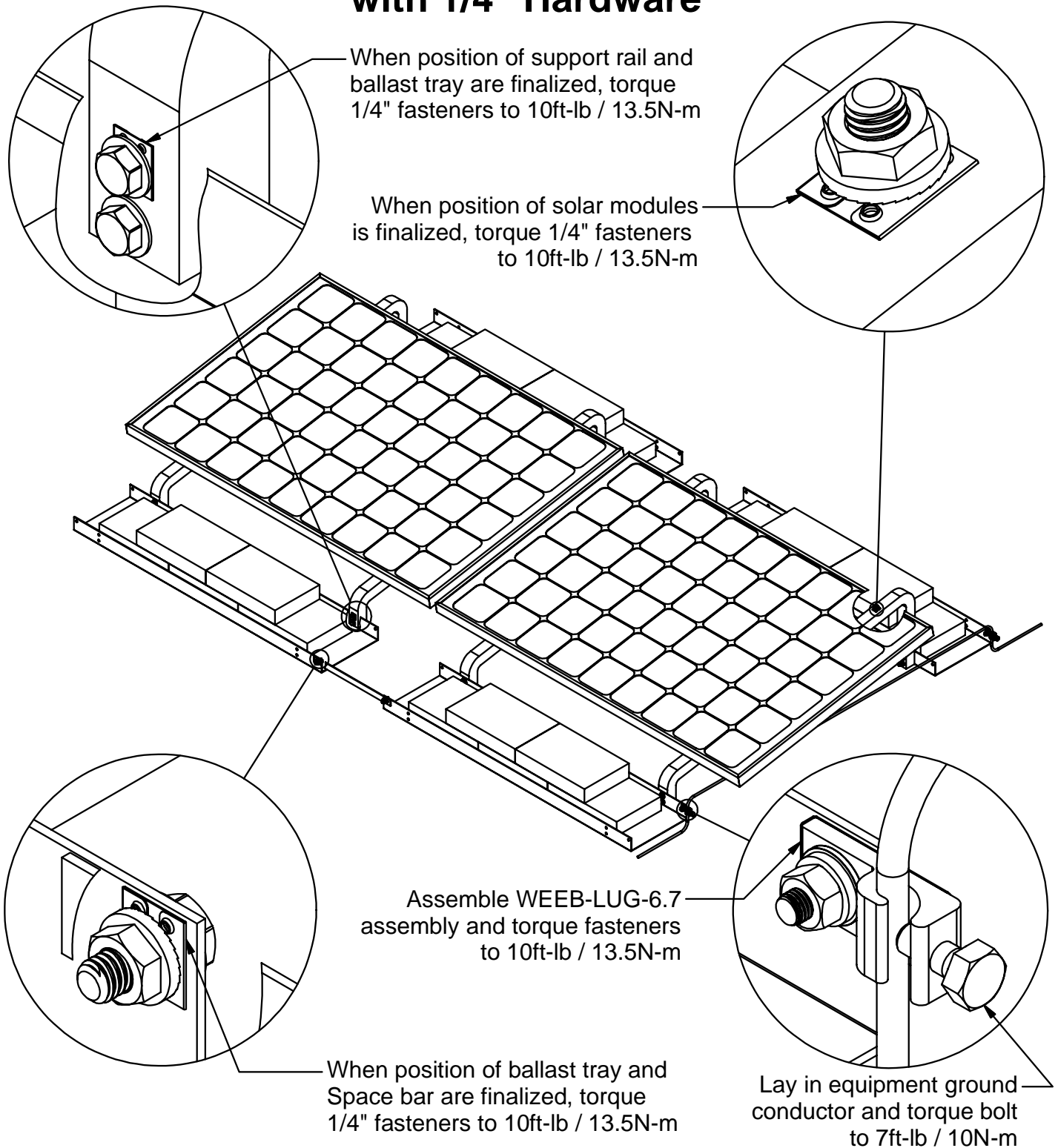
The WEEB® washers used for bonding the PV modules to the mounting rails are compatible with various cross-sections of module frames. The following is an example of a module frame that is compatible. Notice that the WEEB® washer teeth are positioned completely under the edge of the module frame.



Note:

Inspect each module frame used with a WEEB® device to ensure that the bottom mounting face of the frame is flat, and that there are no hindrances to embedding WEEB® washer teeth. Do not use a module with a frame that prevents the WEEB® washer teeth from embedding fully.

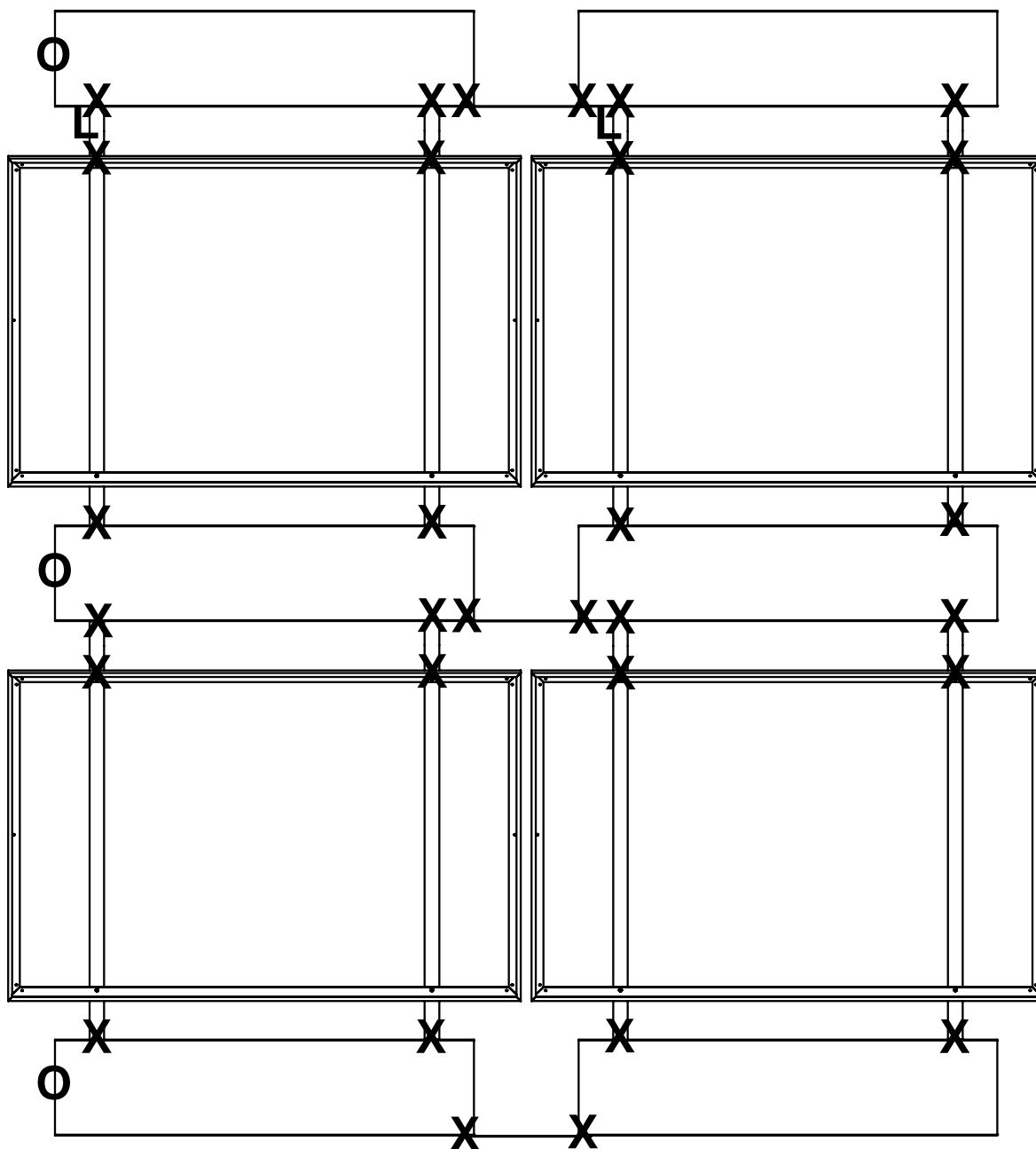
SYSTEM OVERVIEW with 1/4" Hardware



Important notes:

1. Use general purpose anti seize compound (when not already pre-applied) on fastener threads when installing WEEB® washers. DURA-CON® Hardware does not require anti seize compound.
2. The NEC section 690.43 states "Exposed non-current carrying metal parts of module frames, equipment, and conductor enclosures shall be grounded in accordance with 250.134 or 250.136(A) regardless of voltage".

WEEB-9.5NL LAYOUT with 1/4" Hardware

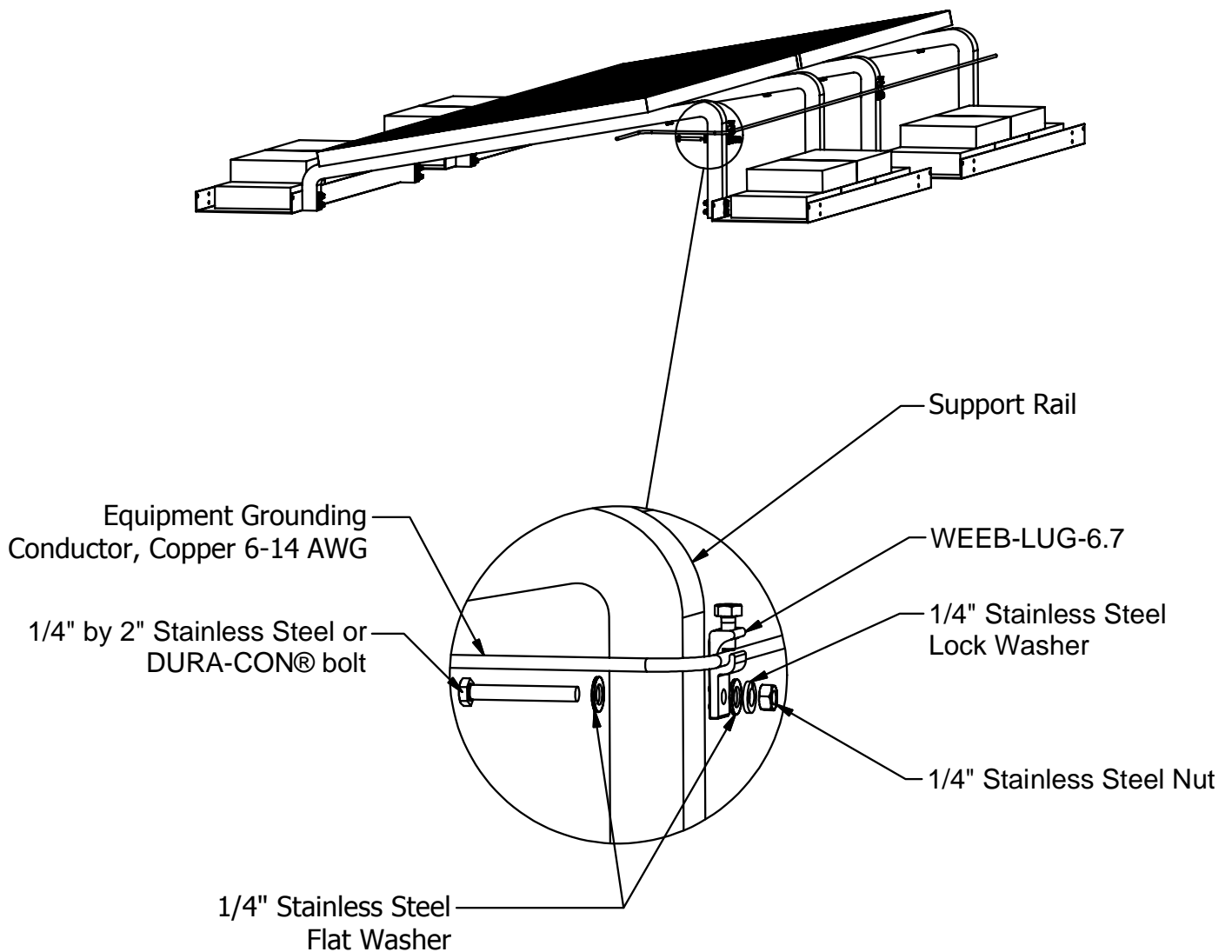


X DENOTES PLACES TO INSTALL WEEB-9.5NL

O DENOTES PLACES TO INSTALL WEEB-LUG-6.7

L DENOTES PLACES TO INSTALL ALTERNATE WEEB-LUG-6.7 LOCATION ON EACH COLUMN

Alternate WEEB-LUG-6.7 Location and Assembly



Important notes:

1. Use general purpose anti seize compound (when not already pre-applied) on fastener threads when installing WEEB® washers. DURA-CON® Hardware does not require anti seize compound.

Customer Service Department
7 Aviation Park Drive
Londonderry, NH 03053
1-800-346-4175
1-603-647-5299 (International)