



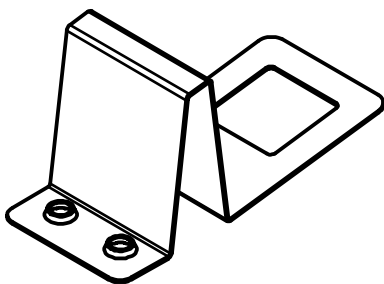
Washer, Electrical Equipment Bond

WEEB® WASHER

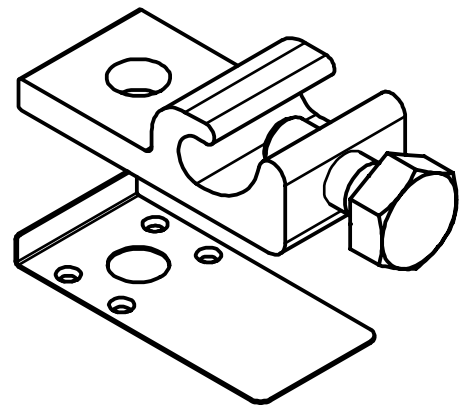
INSTALLATION INSTRUCTIONS *For ERCAM HL12 Single-Axis Solar Tracker System Only*

Burndy LLC recommends that the sufficient details of the installation be submitted to the AHJ for approval before any work is started.

NOTICE	
	<p style="text-align: center;">PLEASE READ CAREFULLY BEFORE INSTALLING</p>



WEEB-SSF



WEEB-LUG-6.7



Products are tested to UL 467, CAN/CSA-C22.2 No. 41
US/ Canadian standards for safety grounding and bonding equipment.



Intertek

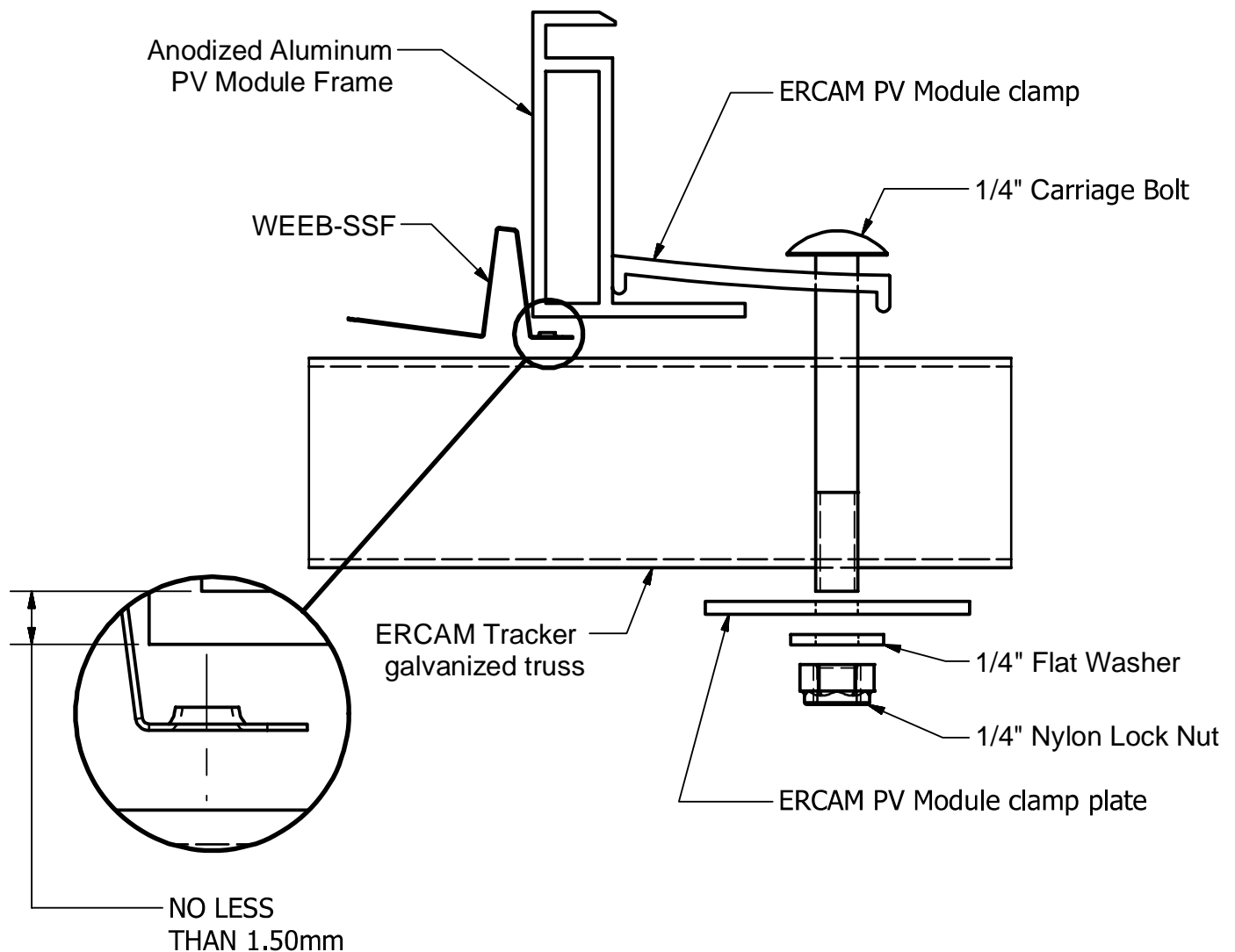
4004188



WEEB-SSF COMPATIBILITY

The WEEB® washer family of products can be used to bond anodized aluminum, galvanized steel, steel and other electrically conductive metal structures. All installations shall be in accordance with NEC requirements in the USA and with CSA C22.1 in Canada. The WEEB® washers are for use with modules that have a maximum fuse rating of less than 25A.

Certain module frames do not have enough structural strength to withstand the force required to embed a WEEB® washer. These frames will deform and therefore not allow sufficient penetration of the WEEB® washer teeth. The general requirements for minimum module frame thickness of "boxed" type module frames are illustrated below. For more information regarding module compatibility, please see the technical documents section of our website.

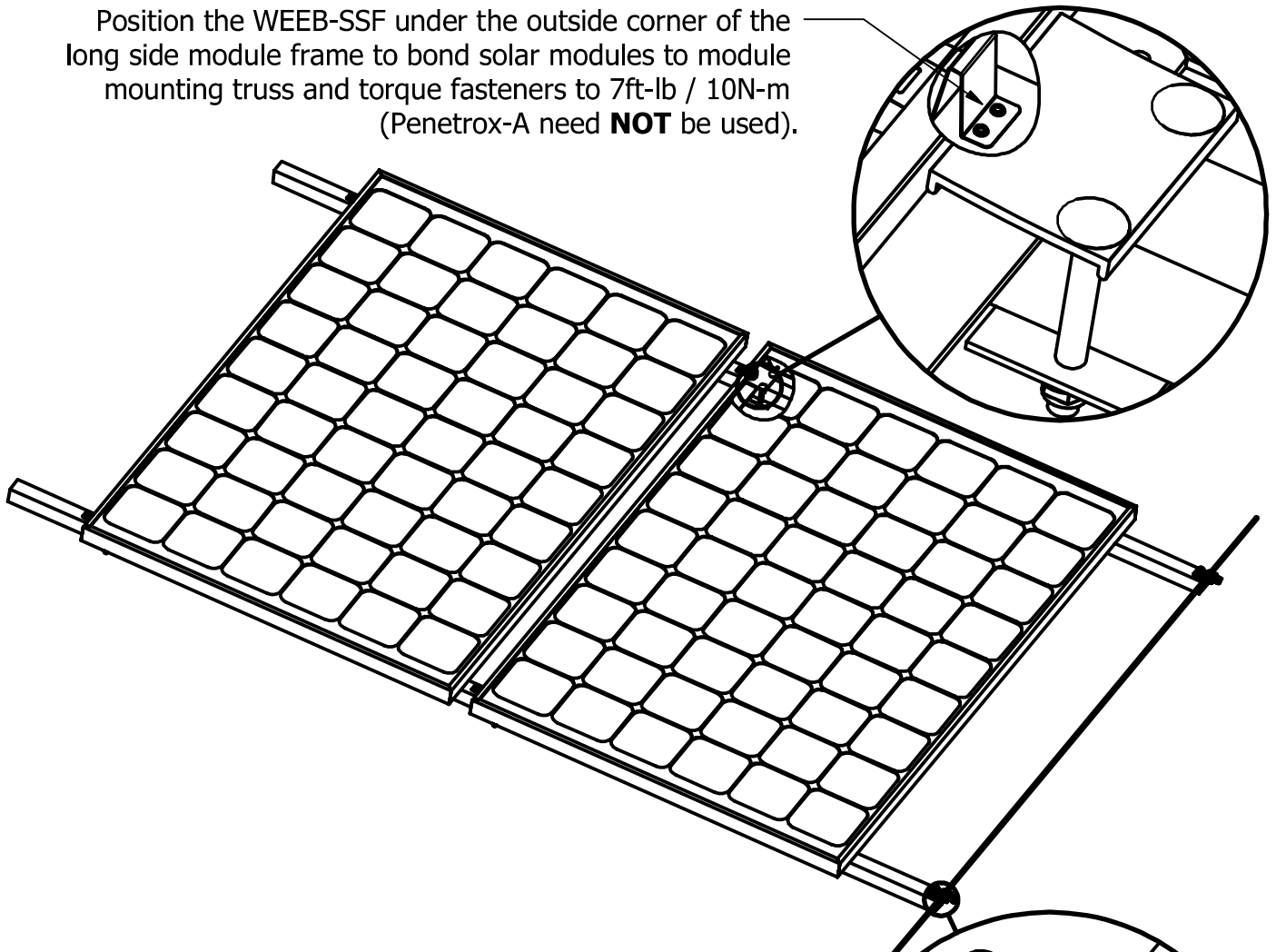


Note:

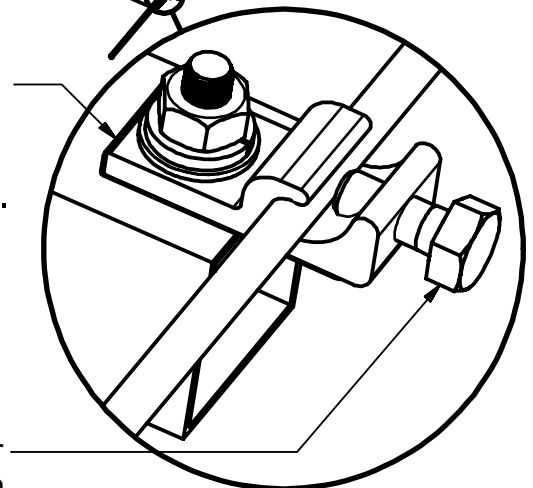
Inspect each module frame used with a WEEB® device to ensure that the bottom mounting face of the frame is flat, and that there are no hindrances to embedding WEEB® washer teeth. Do not use a module with a frame that prevents the WEEB® washer teeth from embedding fully.

SYSTEM OVERVIEW

Position the WEEB-SSF under the outside corner of the long side module frame to bond solar modules to module mounting truss and torque fasteners to 7ft-lb / 10N-m (Penetrox-A need **NOT** be used).



Use one WEEB-LUG-6.7 assembly per truss to connect system to equipment ground conductor and torque fasteners to 10ft-lb / 13.5N-m (Penetrox-A need **NOT** be used).



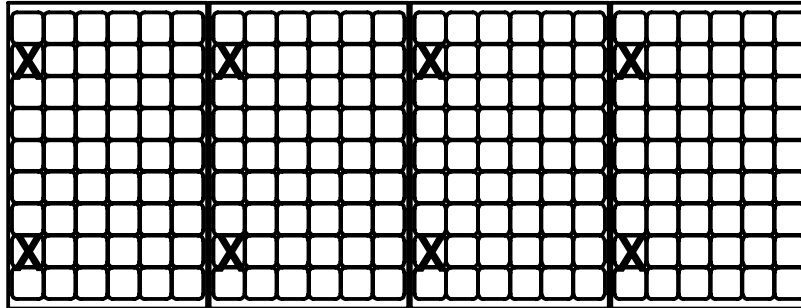
Lay in equipment ground conductor and torque bolt to 7ft-lb / 10N-m

Important notes:

1. The NEC section 690.43 states “Exposed non-current carrying metal parts of module frames, equipment, and conductor enclosures shall be grounded in accordance with 250.134 or 250.136(A) regardless of voltage”.

WEEB-SSF LAYOUT

EVEN NUMBER OF MODULES IN ROW

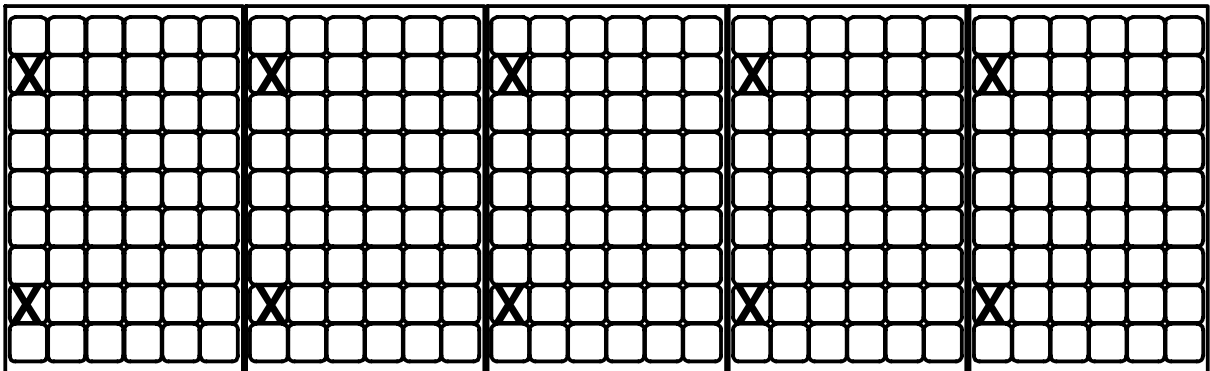


X DENOTES PLACES TO INSTALL WEEB-SSF

$$\text{COLUMN X [ROW X 2]} = C \times [R \times 2] = 4 \times [1 \times 2] = 8$$

WEEB-SSF NEEDED = 8

ODD NUMBER OF MODULES IN ROW



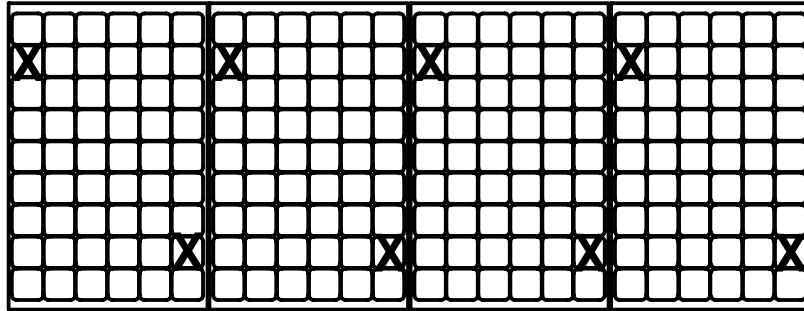
X DENOTES PLACES TO INSTALL WEEB-SSF

$$\text{COLUMN X [ROW X 2]} = C \times [R \times 2] = 5 \times [1 \times 2] = 10$$

WEEB-SSF NEEDED = 10

ALTERNATE WEEB-SSF LAYOUT

EVEN NUMBER OF MODULES IN ROW

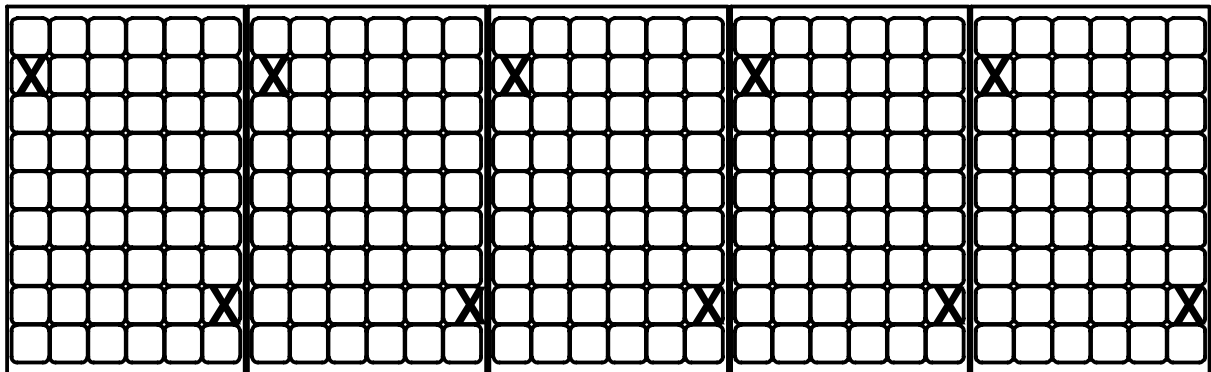


X DENOTES PLACES TO INSTALL WEEB-SSF

$$\text{COLUMN X [ROW X 2]} = C \times [R \times 2] = 4 \times [1 \times 2] = 8$$

WEEB-SSF NEEDED = 8

ODD NUMBER OF MODULES IN ROW



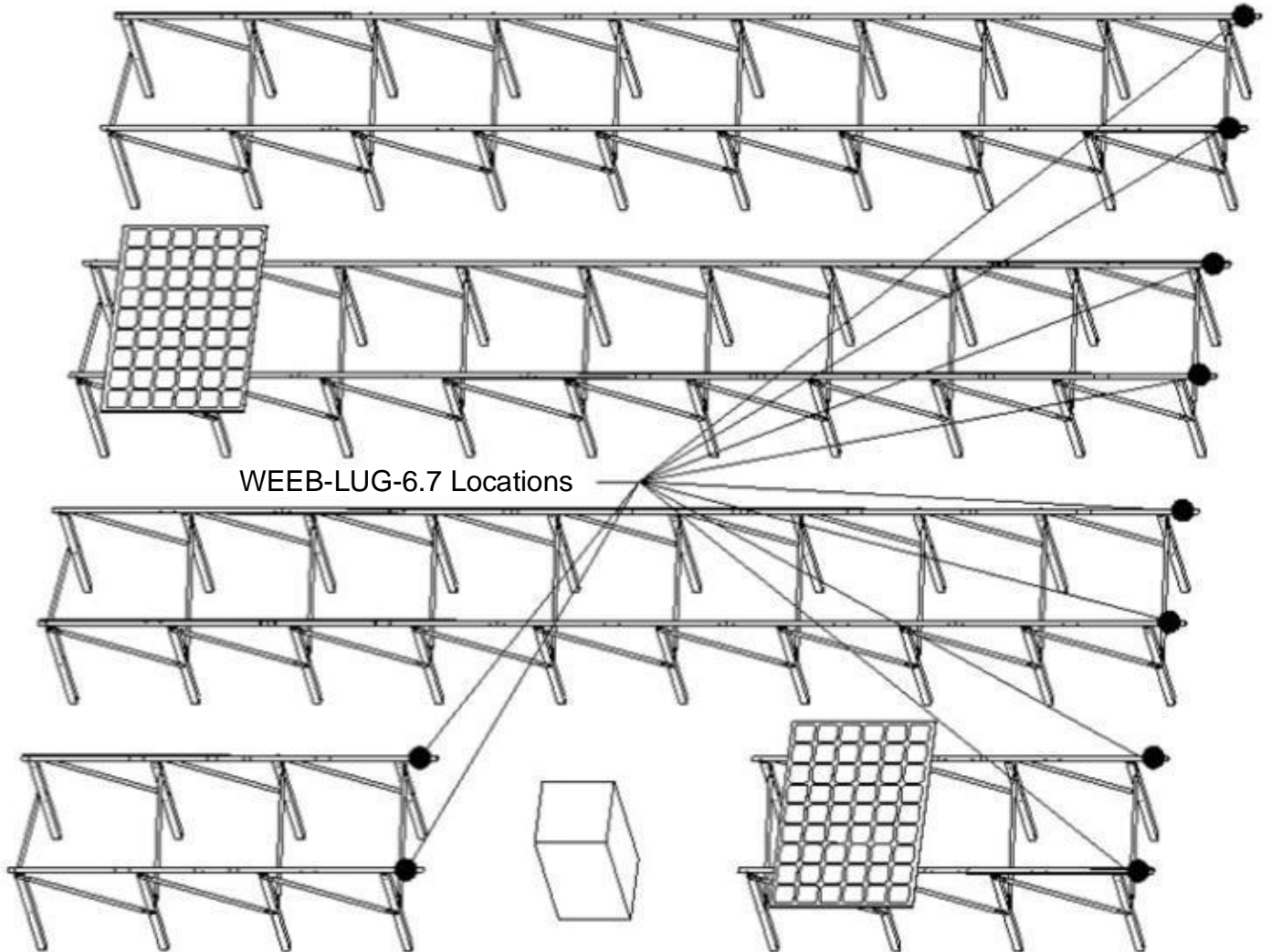
X DENOTES PLACES TO INSTALL WEEB-SSF

$$\text{COLUMN X [ROW X 2]} = C \times [R \times 2] = 5 \times [1 \times 2] = 10$$

WEEB-SSF NEEDED = 10

WEEB-LUG-6.7 LOCATIONS

Install WEEB-LUG-6.7's at the following marked locations.



Customer Service Department
7 Aviation Park Drive
Londonderry, NH 03053
1-800-346-4175
1-603-647-5299 (International)