

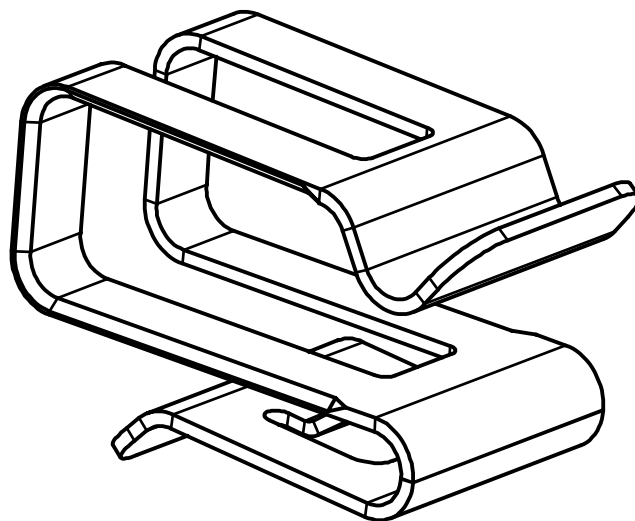


Wire Management Solution

ACME CABLE CLIP

INSTALLATION INSTRUCTIONS

Burndy LLC recommends that the sufficient details of the installation be submitted to the AHJ for approval before any work is started.



ACC-FLD

Products are tested to UL 1565 & CSA C22.2 No. 18.5-13,
US/ Canadian standards for safety Positioning Device.

ACC-FLD COMPATIBILITY

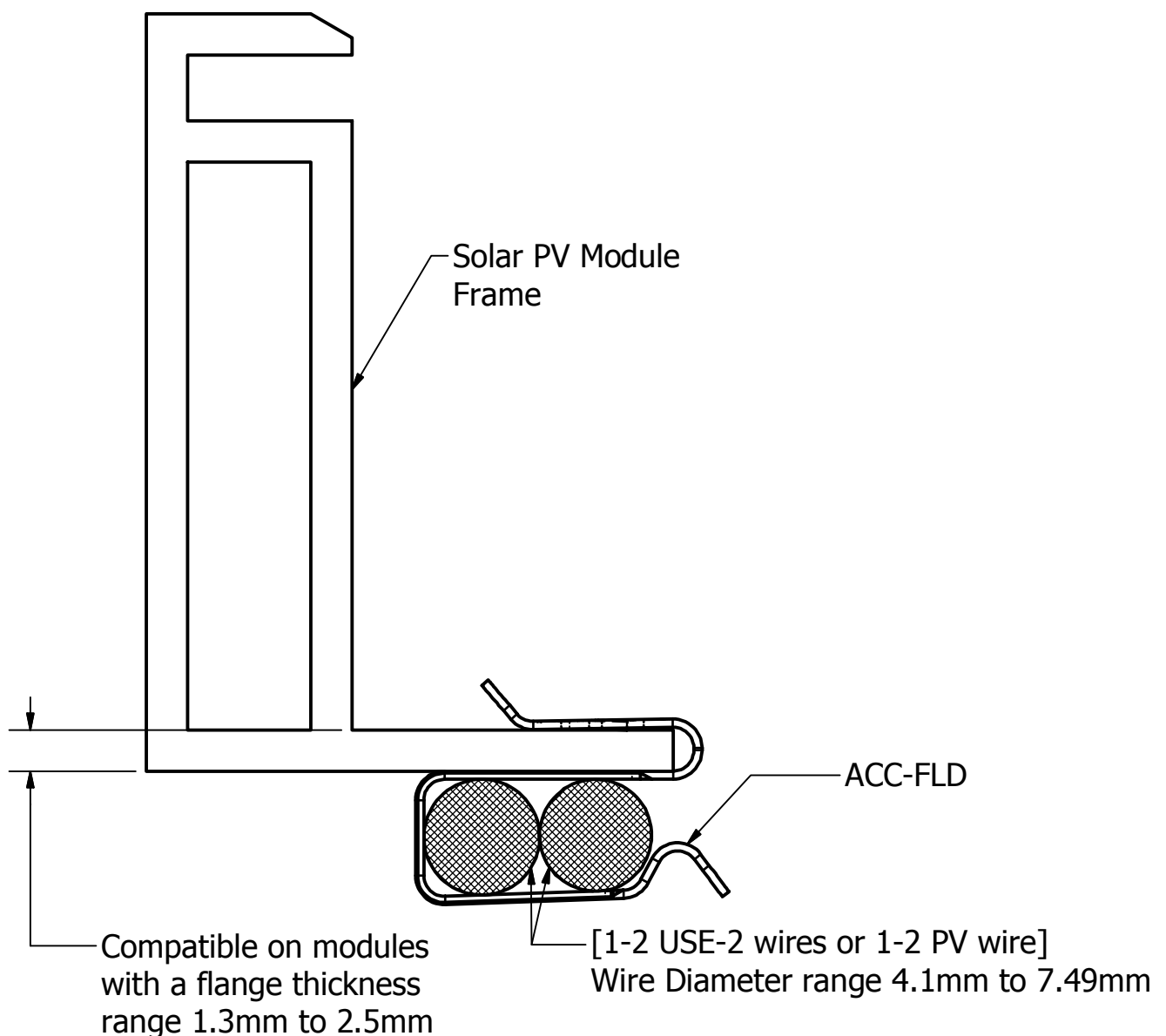
Wire Management Solutions

Engineered for high-quality wire management solutions, Wiley Cable Clips simplify wire management and leads to safer and more reliable wiring of the solar PV array.

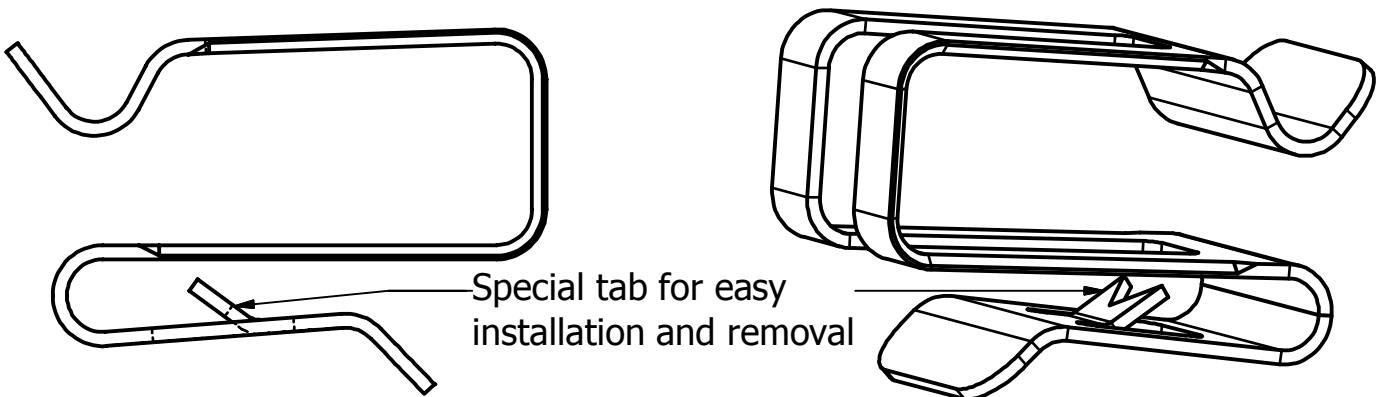
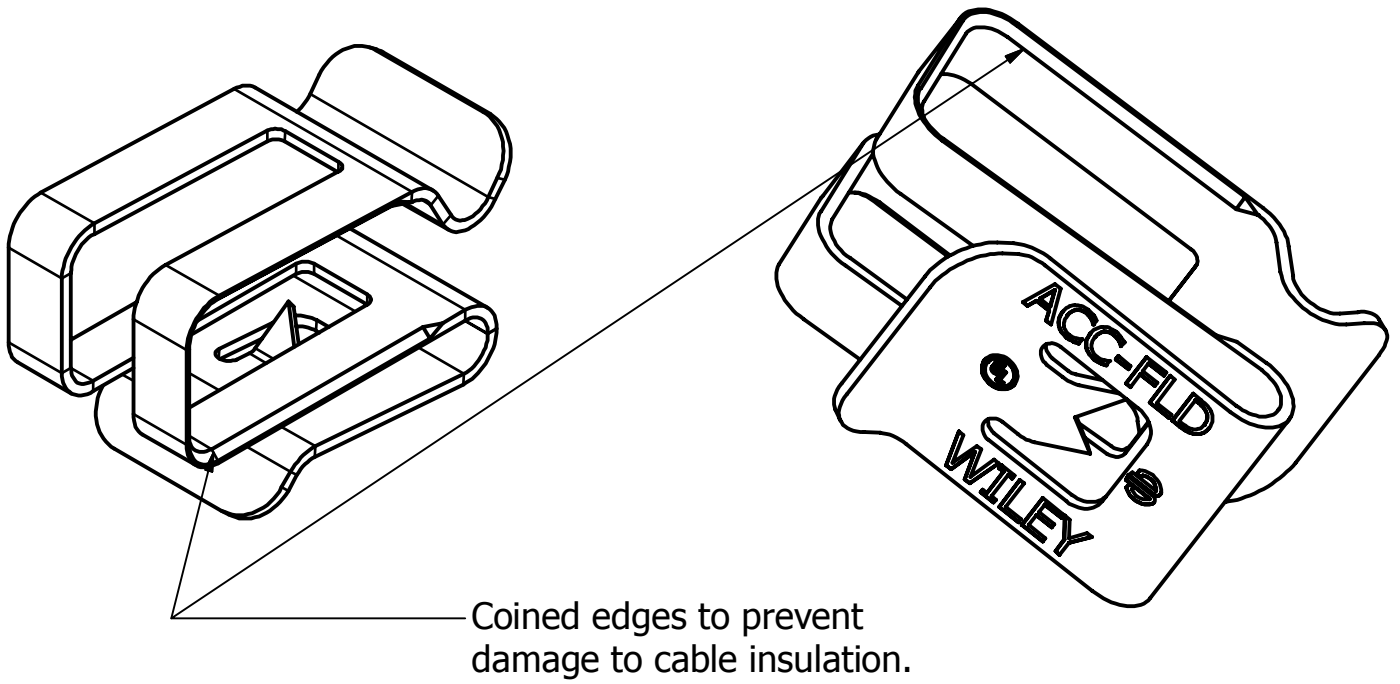
The clips are made of corrosion resistant 304 stainless steel, which makes them a durable, long lasting and reliable solution for all environments.

The design is easy to install, no tool is required to install and reusable.

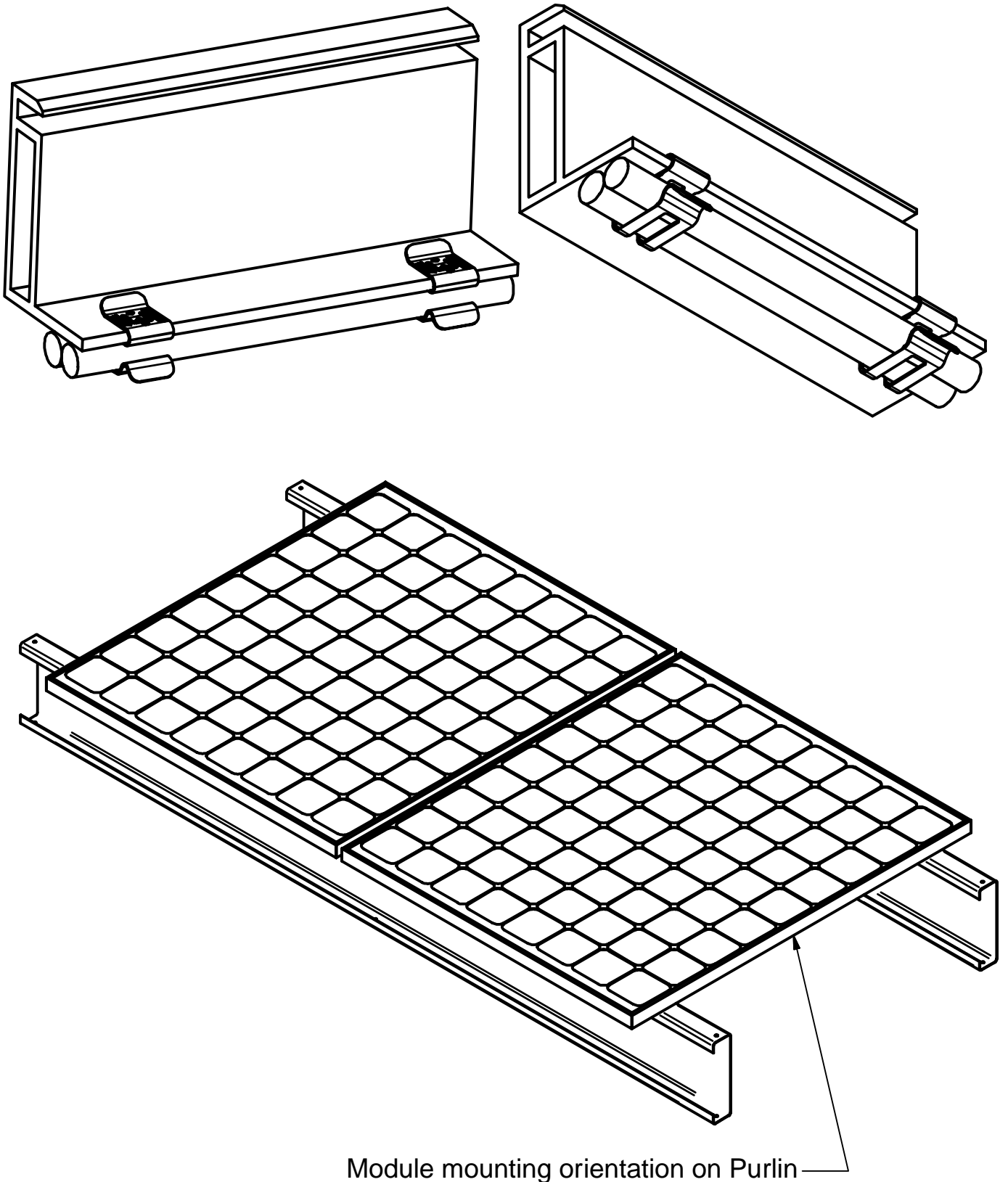
Custom designs are available upon request.



ACC-FLD SPECIAL FEATURES



ACC-FLD OVERVIEW



Module mounting orientation on Purlin

Note:

Application: Module frame flange mounting